

Index to section “K” Specifications

Index K 1
 84” Elevations K 2
 87” Elevations K 3
 90” Elevations K 4
 93” Elevations K 5
 96” Elevations K 6

BASES

Base front views K 7
 Base Cross Section Details K 8
 Drawer Base Cross Section drawings K 9
 Knee Desk Drawer K 9
 Base corner cabinet footprint K 10
 Base Corner 3 or 4 Drawer Bank K 11
 Diagonal Base corner cabinet footprint K 12
 Blind Base Corner K 13
 Base open shelf footprint K 14
 Base angled end footprint K 15
 FHBAE24DD Base cabinet footprint K 16
 Full Height Base Angle Angle K 17
 FHBA45 cabinet K 18
 FHBA135 cabinet K 19
 Base Open 135° & 225° Units K 20
 Base Corner hutch K 22
 Easy Access Base K 22
 Clipped Corner Base Detail K 23
 Fluted Filler Standard Sizing K 24

TALLS

Tall Side View Details K 25
 Tall Pantry Cross Section drawing K 26
 Tall Elevation View K 27
 Alternate Tall Cabinet front layouts K 28

Tall Hutch Corner/Tall Corner Cabinet footprint K 29
 Tall oven front layouts K 30

UPPERS

Upper Cabinet Cross Section K 31
 Upper open shelf sizes K 32
 Upper angled end cabinet K 33
 UCC225 K 34
 Upper Angle Angle cabinet K 35

 Upper Plate Rack Insert K 36
 Corner Appliance Garage K 37
 Upper Diagonal Corner Specs K 38

VANITIES

Vanity Types K 39
 VDBCS28 vanity sink cabinet K 40

AVONLEA

Avonlea Base footprint K 41
 Avonlea Upper Door Drawer K 42
 Avonlea Vanity Base sink footprint K 43

COUNTRY CLASSIC

Country Classic Base detail K 44
 Country Classic Upper detail K 45

RECESS LED LIGHTING

12V System K 46

ADJUSTMENT GUIDE

Tiomos Hinge Adjustment K 51
 DWD-XP Drawer Adjustment K 52
 Dynapro Drawer Adjustment K 53



Typical cabinet details for 84" high installations



© 2015 - 2020 Canadiana Cabinets Ltd | Revised August 2021



(705) 808-1038 Customer Service
 (866) 376-4316 Fax

www.canadianacabinets.com

Specifications K 2

Typical cabinet details for 87" high installations



© 2015 - 2020 Canadiana Cabinets Ltd | Revised August 2021

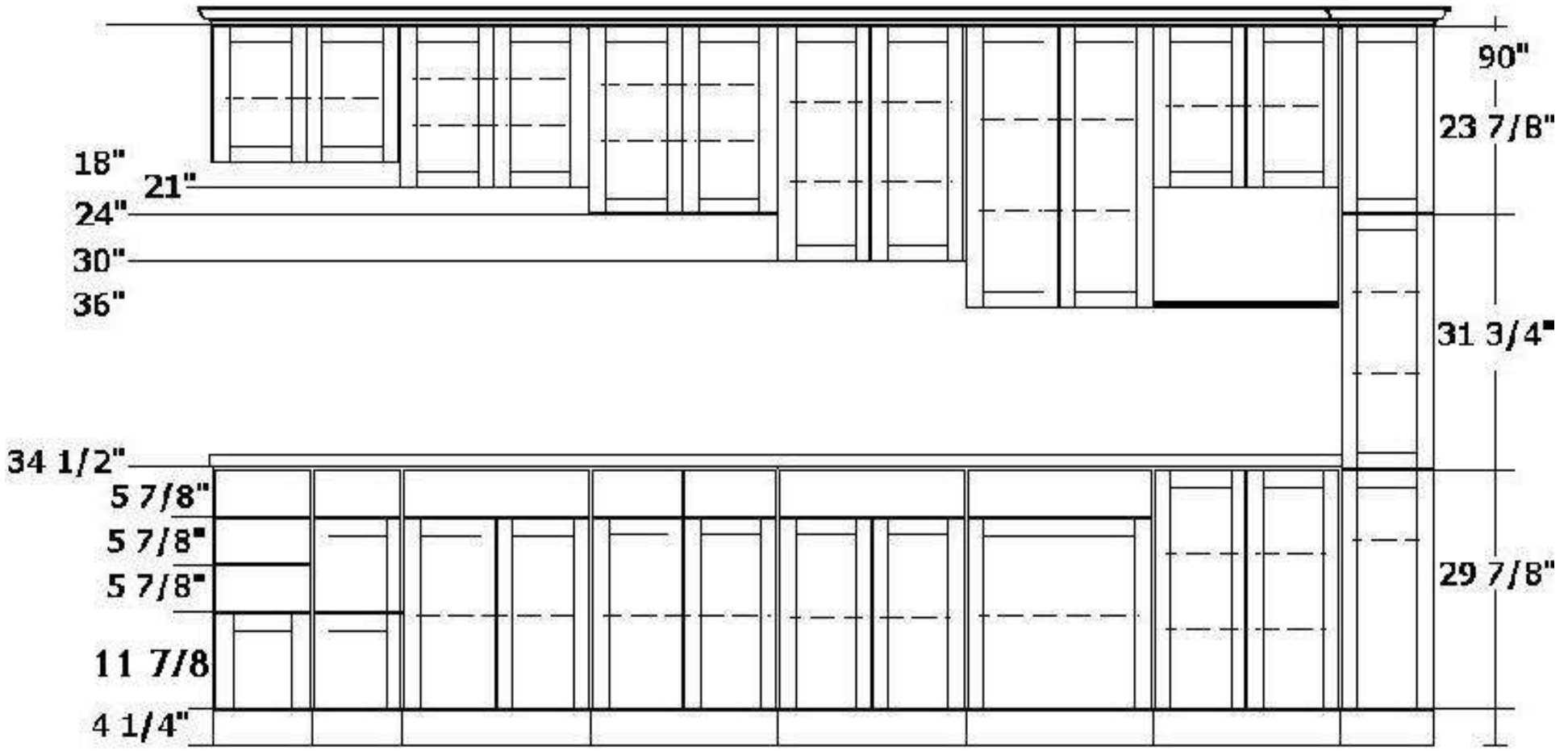


(705) 808-1038 Customer Service
 (866) 376-4316 Fax

www.canadianacabinets.com

Specifications K 3

Typical cabinet details for 90" high installations



© 2015 - 2020 Canadiana Cabinets Ltd | Revised August 2021

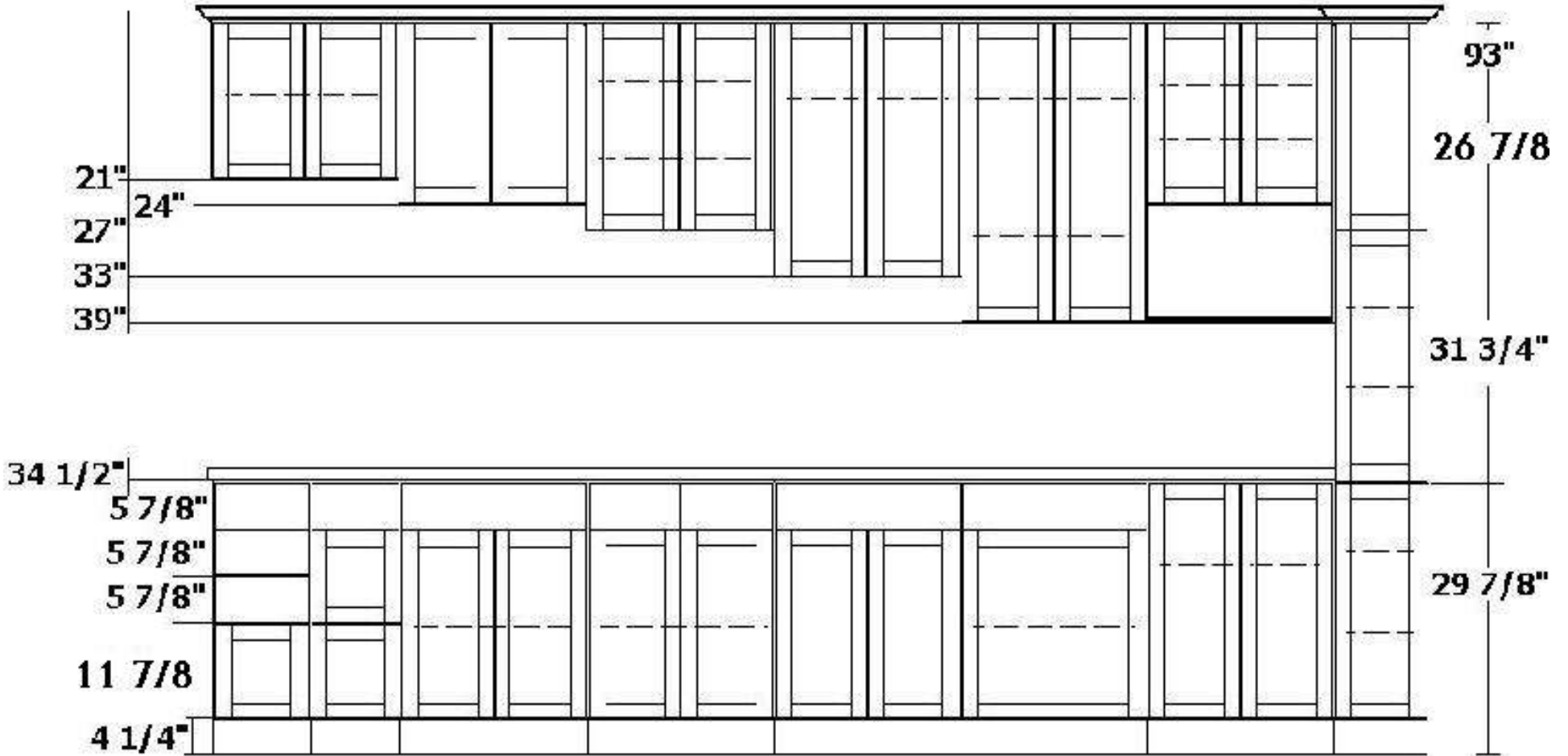


(705) 808-1038 Customer Service
 (866) 376-4316 Fax

www.canadianacabinets.com

Specifications K 4

Typical cabinet details for 93" high installations



© 2015 - 2020 Canadiana Cabinets Ltd | Revised August 2021

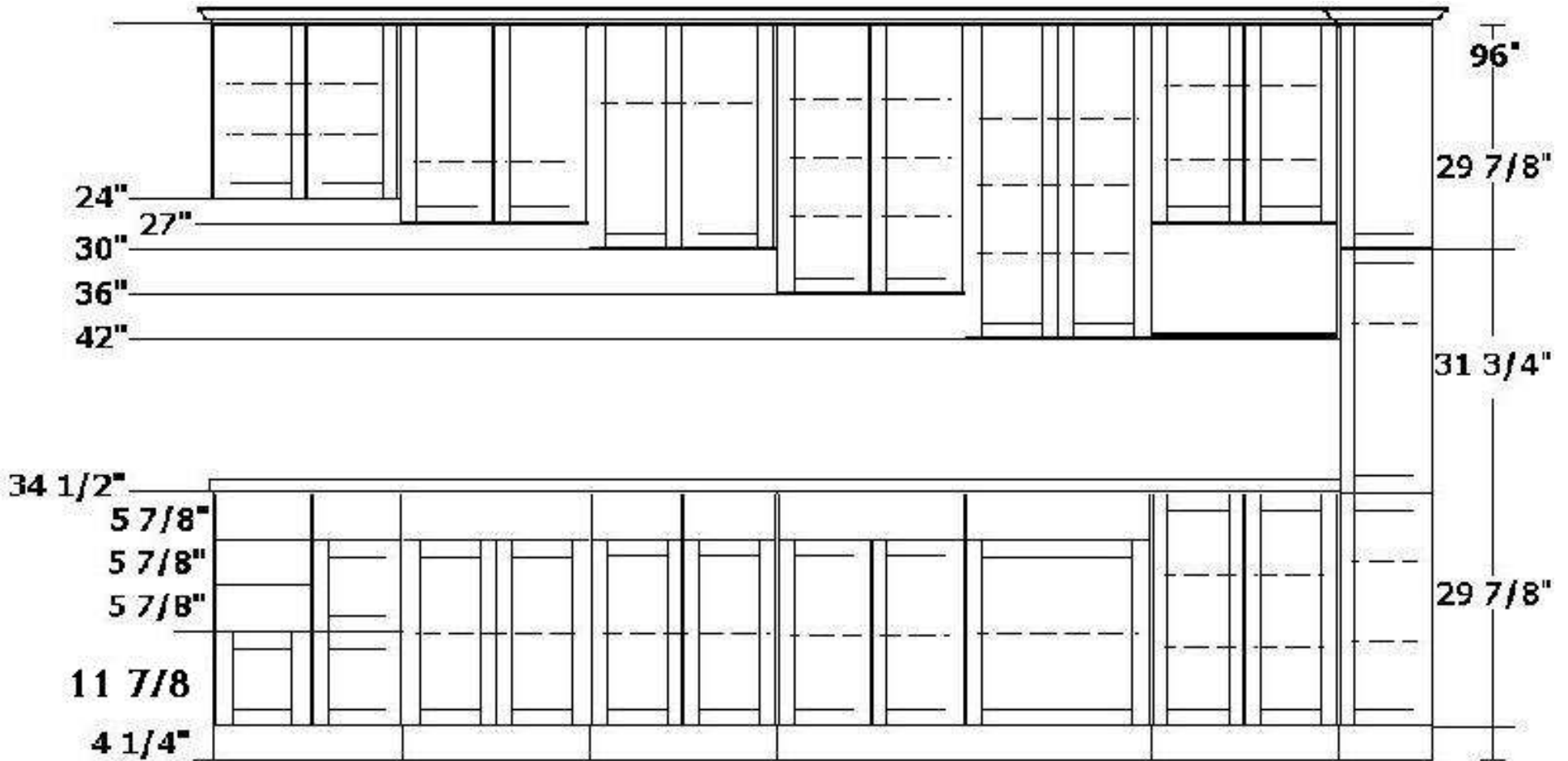


(705) 808-1038 Customer Service
 (866) 376-4316 Fax

www.canadianacabinets.com

Specifications K 5

Typical cabinet details for 96" high installations



© 2015 - 2020 Canadiana Cabinets Ltd | Revised August 2021

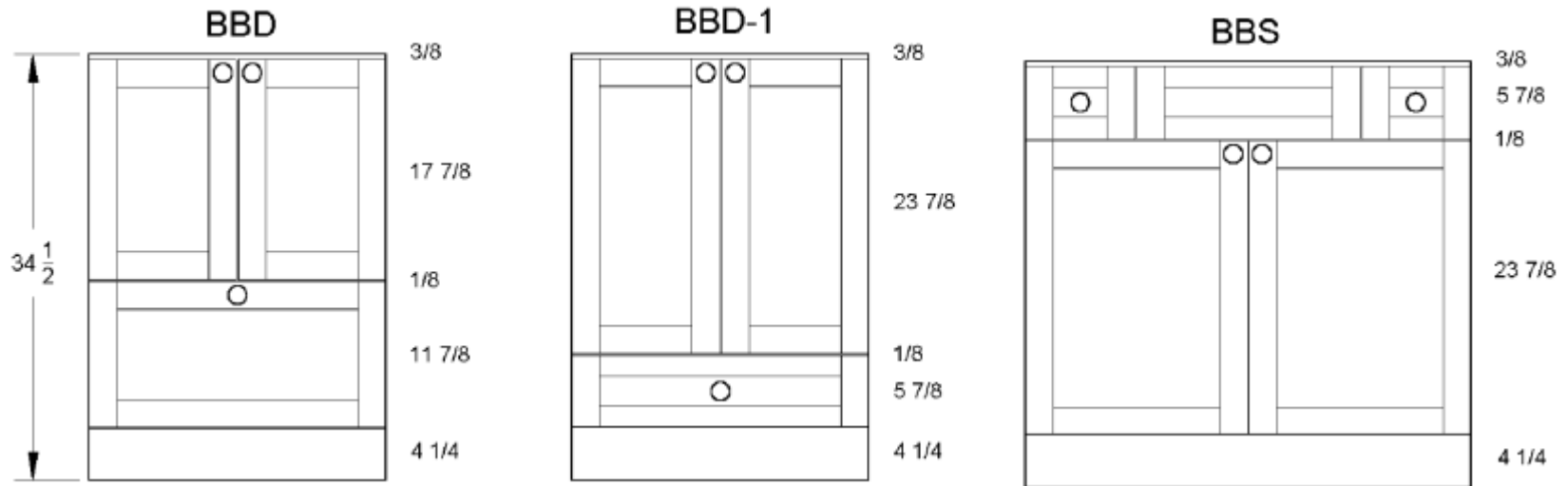
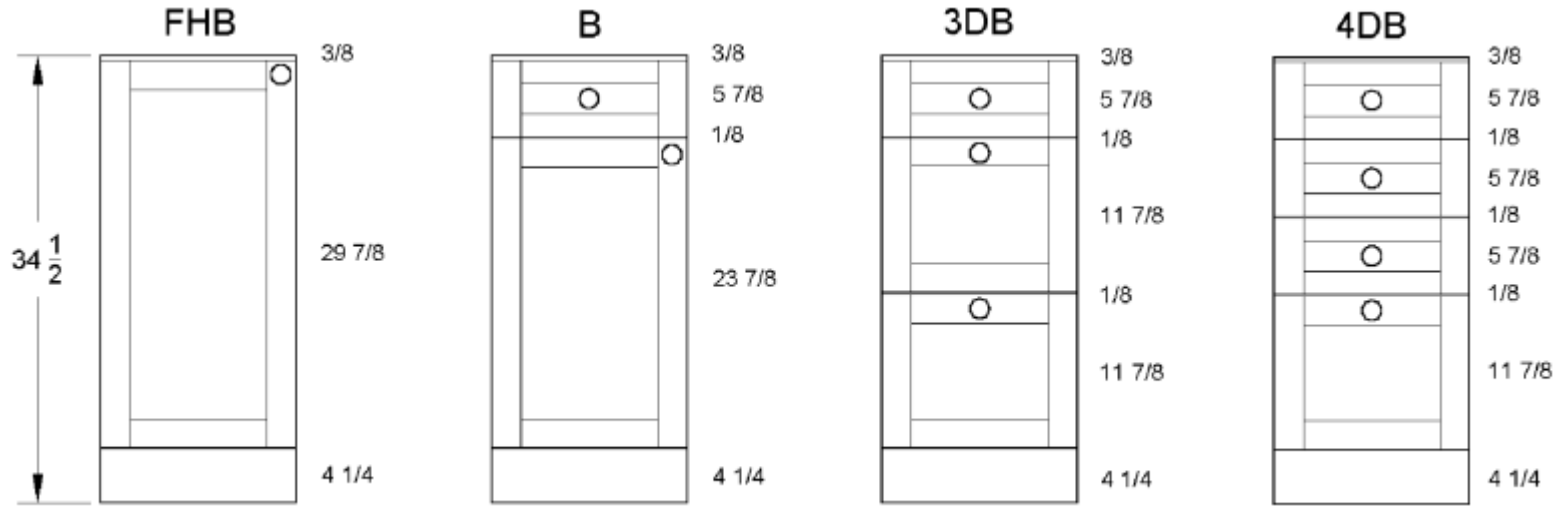


(705) 808-1038 Customer Service
 (866) 376-4316 Fax

www.canadianacabinets.com

Specifications K 6

Base Cabinet Specs



© 2015 - 2020 Canadiana Cabinets Ltd | Revised August 2021



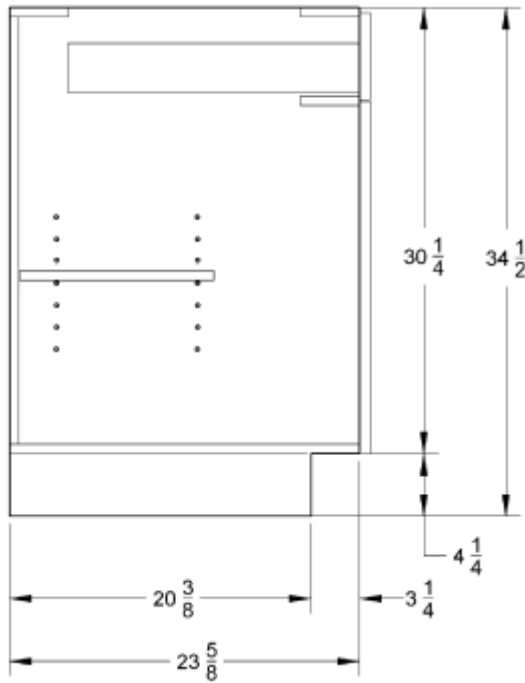
(705) 808-1038 Customer Service
 (866) 376-4316 Fax

www.canadianacabinets.com

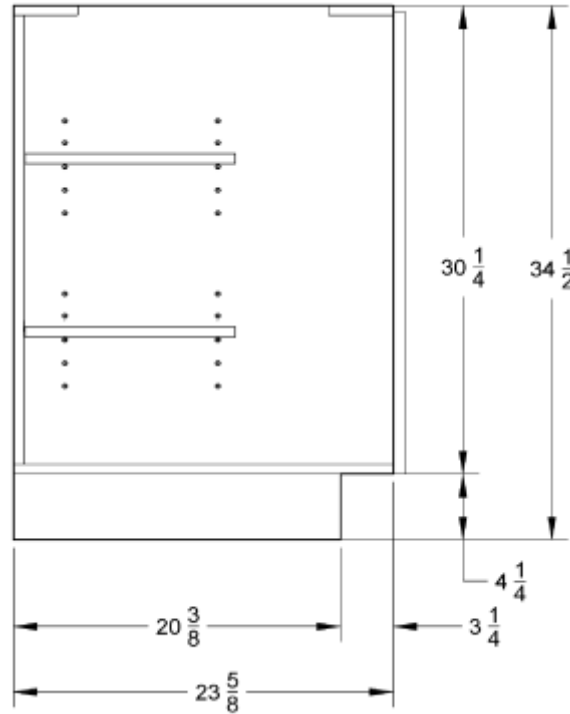
Specifications K 7

Base Cross Section Detail

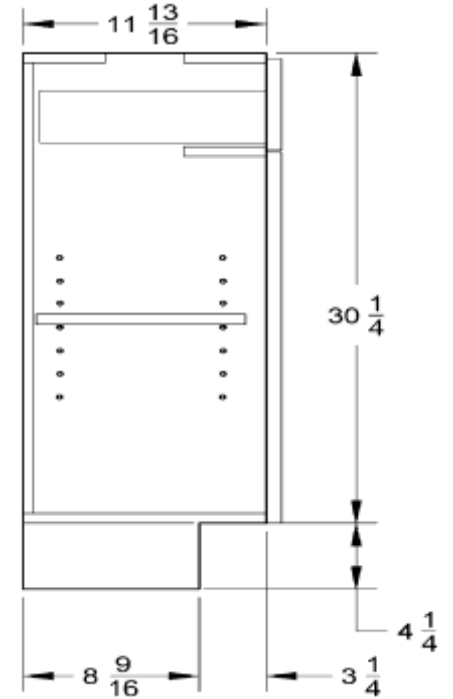
Standard Depth Base (Drawer/Door Base) (B)



Full Height Door Base (FHB)



-12 Depth Base (Drawer/Door Base)



© 2015 - 2020 Canadiana Cabinets Ltd | Revised August 2021



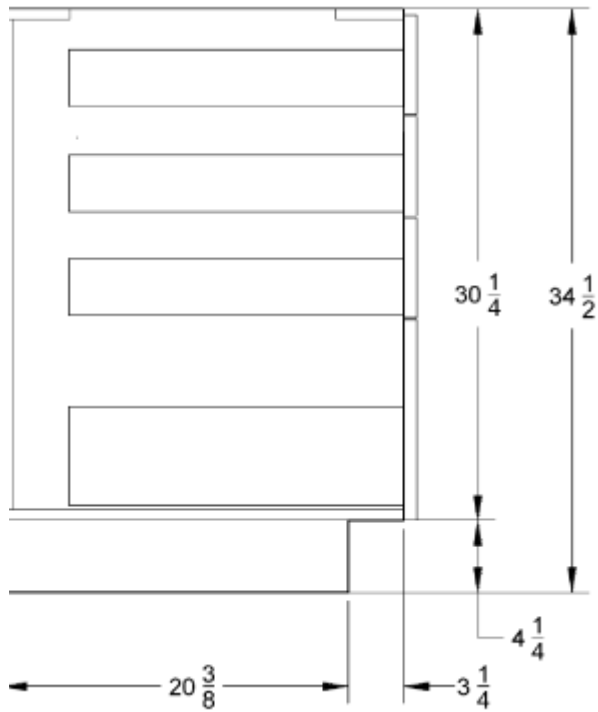
(705) 808-1038 Customer Service
 (866) 376-4316 Fax

www.canadianacabinets.com

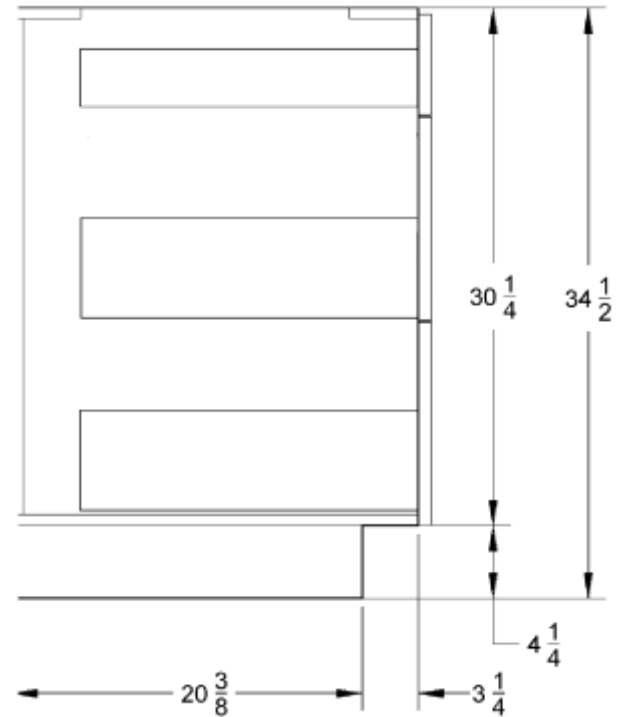
Specifications K 8

Base Cross Section Detail

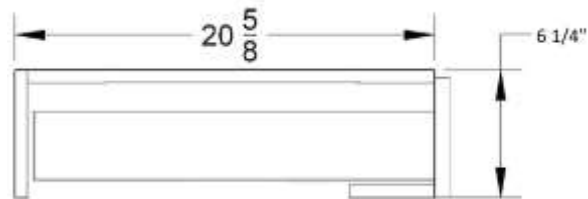
Four Drawer Base (4DB)

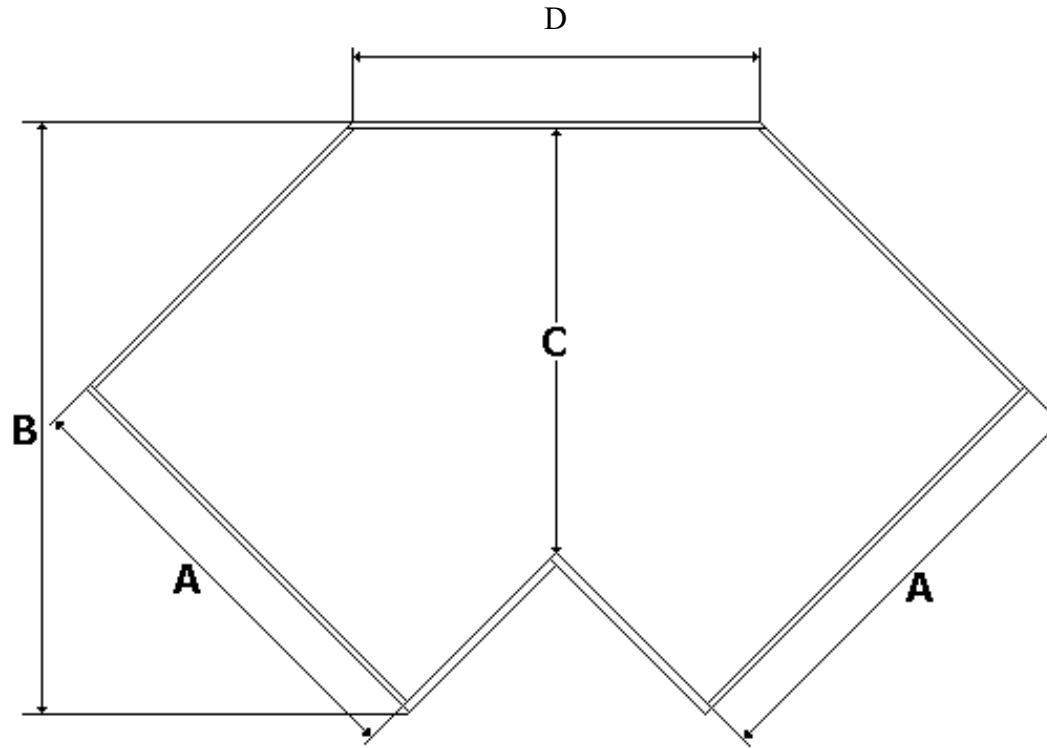


Three Drawer Base (3DB)



Knee Desk Drawer (KDR)





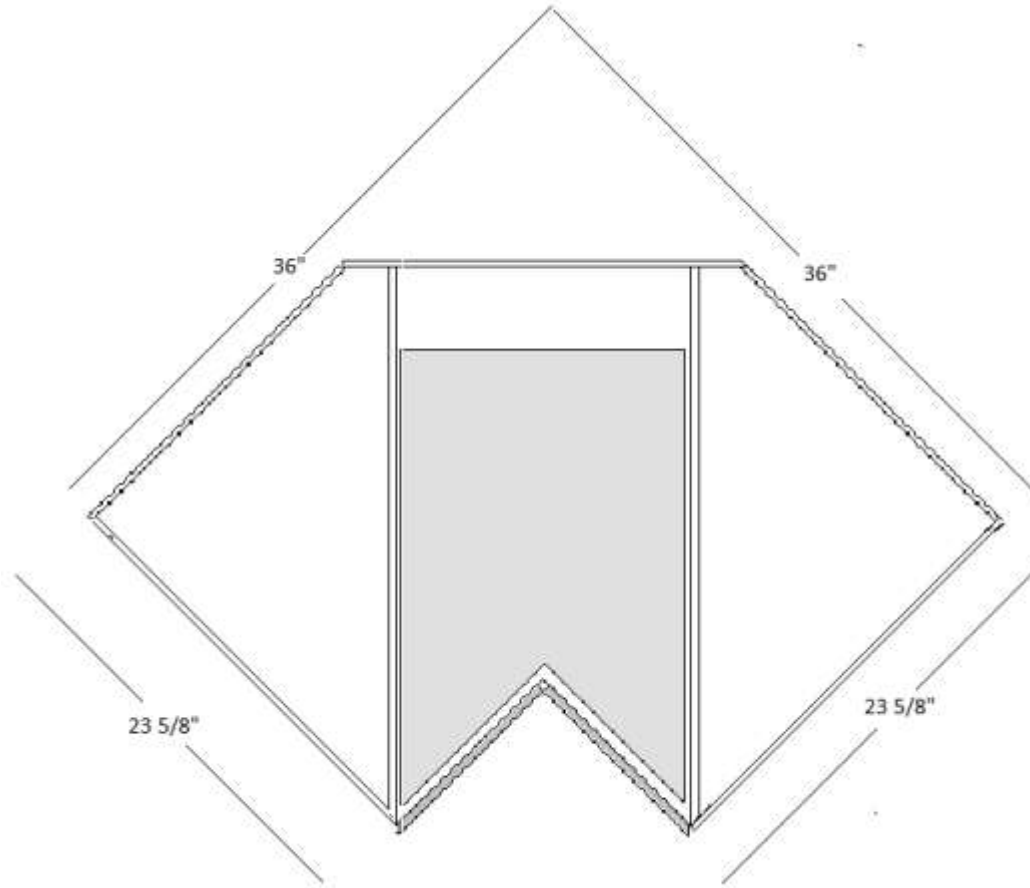
	A	B	C	D	DOOR
BC3333	23 5/8	28 5/8	20 5/8	24 1/8	8 1/4
BC3636	23 5/8	30 3/4	20 5/8	24 1/8	11 1/4
BC3939	23 5/8	30 7/8	18 5/8	24 1/8	14 1/4

Base Corner Cabinet

Scale: To Fit

Approved By:



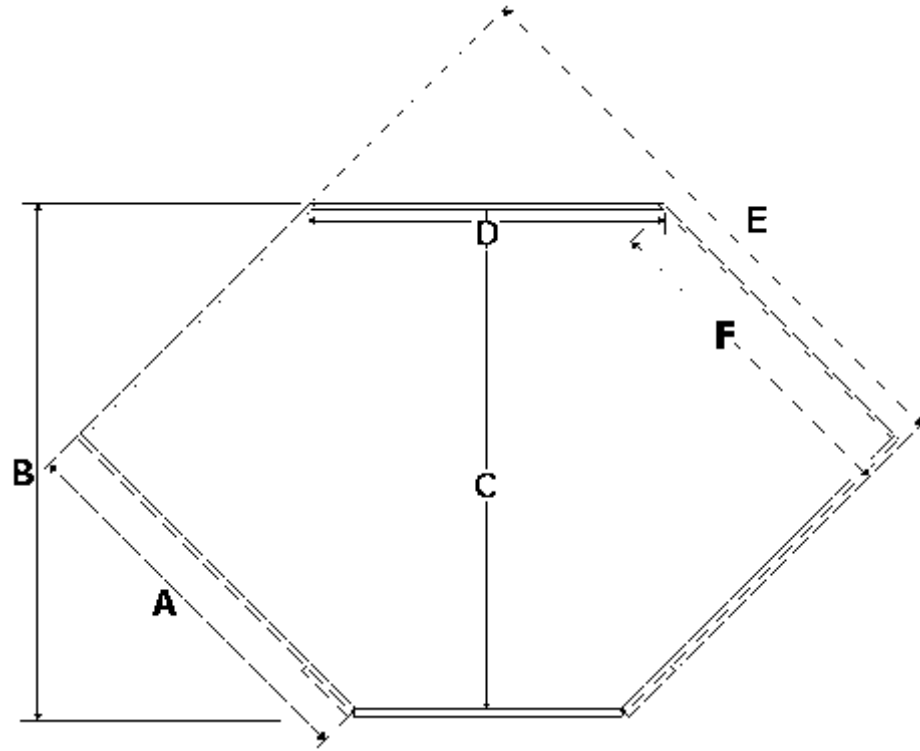


Base Corner 3 or 4 Drawer Bank 36 - 36		
Scale: To Fit	Approved By:	

(705) 808-1038 Customer Service
(866) 376-4316 Fax

www.canadianacabinets.com

Specifications K 11



Cabinet	A	B	C	D	E	F	DOOR
DBC33	23 5/8	28 1/16	26 3/8	24 1/8	33	15 7/8	11 9/16
DBC36	23 5/8	30 3/16	28 7/16	24 1/8	36	18 7/8	15 13/16
DBC39	23 5/8	30 1/4	28 9/16	28 1/8	39	19 1/16	20
DBC42	23 5/8	30 3/8	28 11/16	32 1/8	42	19 1/4	12 x 2

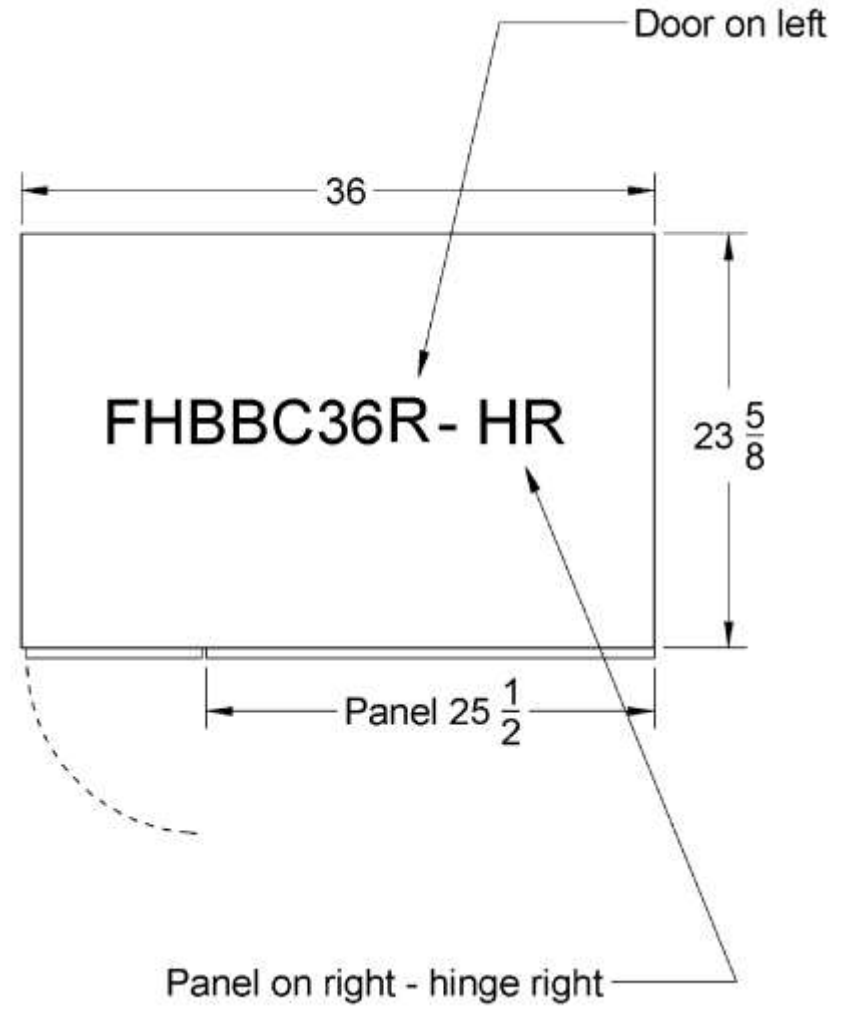
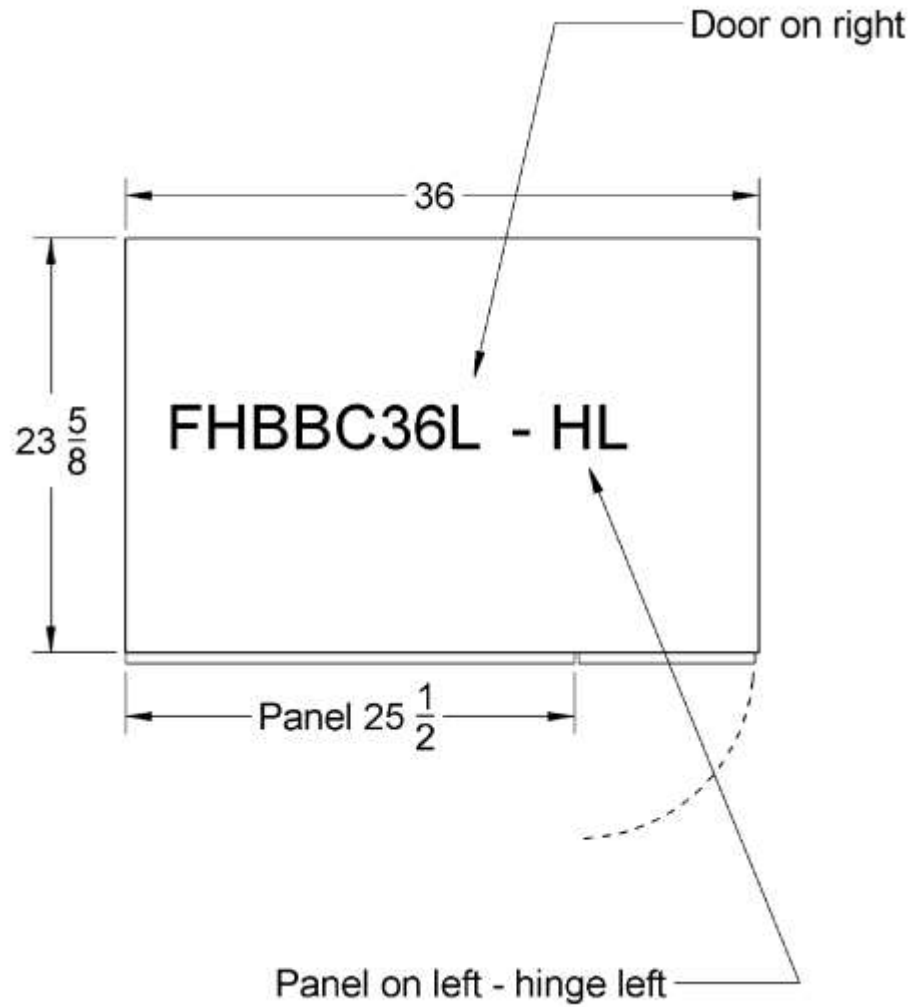


Diagonal Base Corner Cabinet		
Scale: To Fit	Approved By:	

(705) 808-1038 Customer Service
 (866) 376-4316 Fax

www.canadianacabinets.com

Specifications K 12

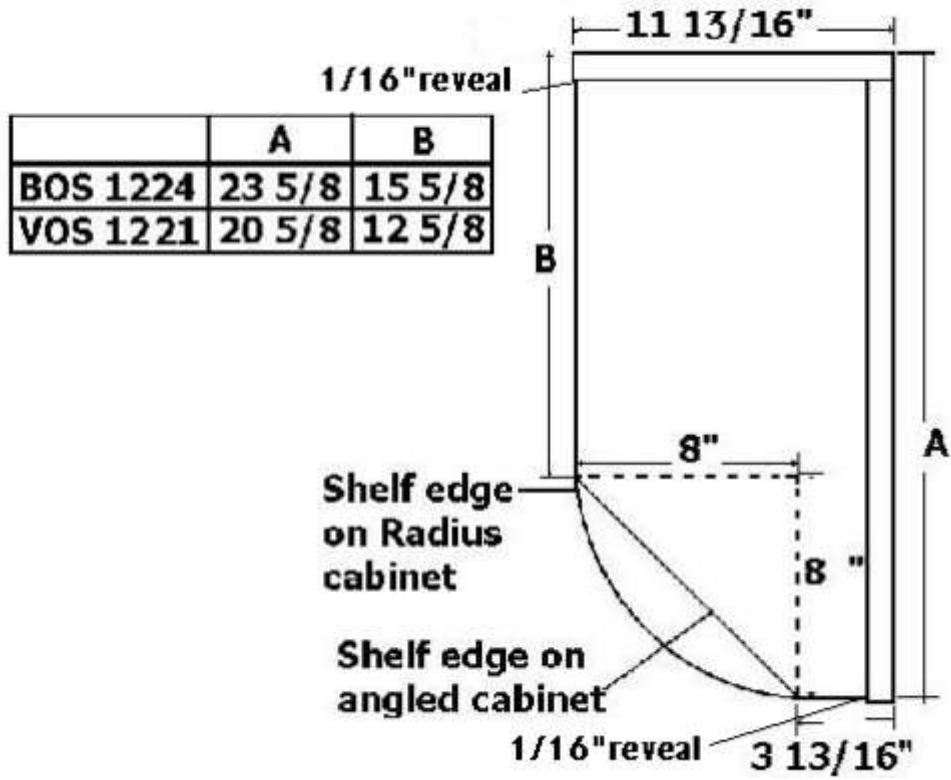


Full Height Base Blind Corner		
Scale: To Fit	Approved By:	

(705) 808-1038 Customer Service
 (866) 376-4316 Fax

www.canadianacabinets.com

Specifications K 13



Base Open Shelf Cabinet

Scale: To Fit

Approved By:

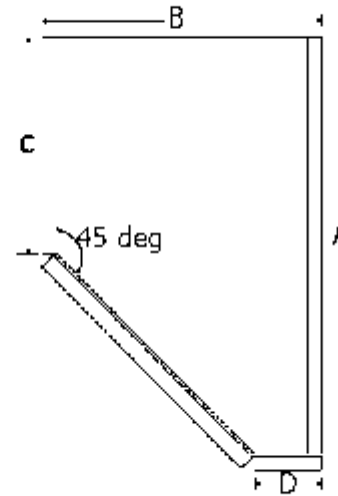
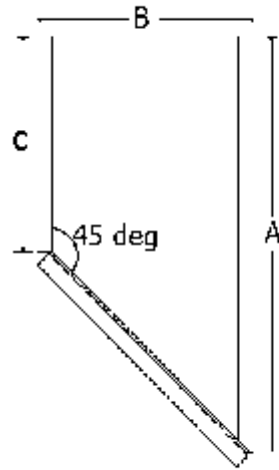


(705) 808-1038 Customer Service
 (866) 376-4316 Fax

www.canadianacabinets.com

Specifications K 14

**Base Angled End
BAE12 / VAE12**



Cabinet	A	B	C	D	DOOR
FHBAE12	23 5/8	12 9/16	11 13/16	na	16 3/4
FHVAE12	20 5/8	12 9/16	8 13/16	na	16 3/4
FHBAE15	23 5/8	15	11 13/16	2 1/2	16 3/4
FHVAE15	20 5/8	15	8 13/16	2 1/2	16 3/4
FHBAE18	23 5/8	18	11 13/16	5 1/2	16 3/4
FHVAE18	20 5/8	18	8 13/16	5 1/2	16 3/4

Full Height Base Angled End Cabinet

Scale: To Fit

Approved By:

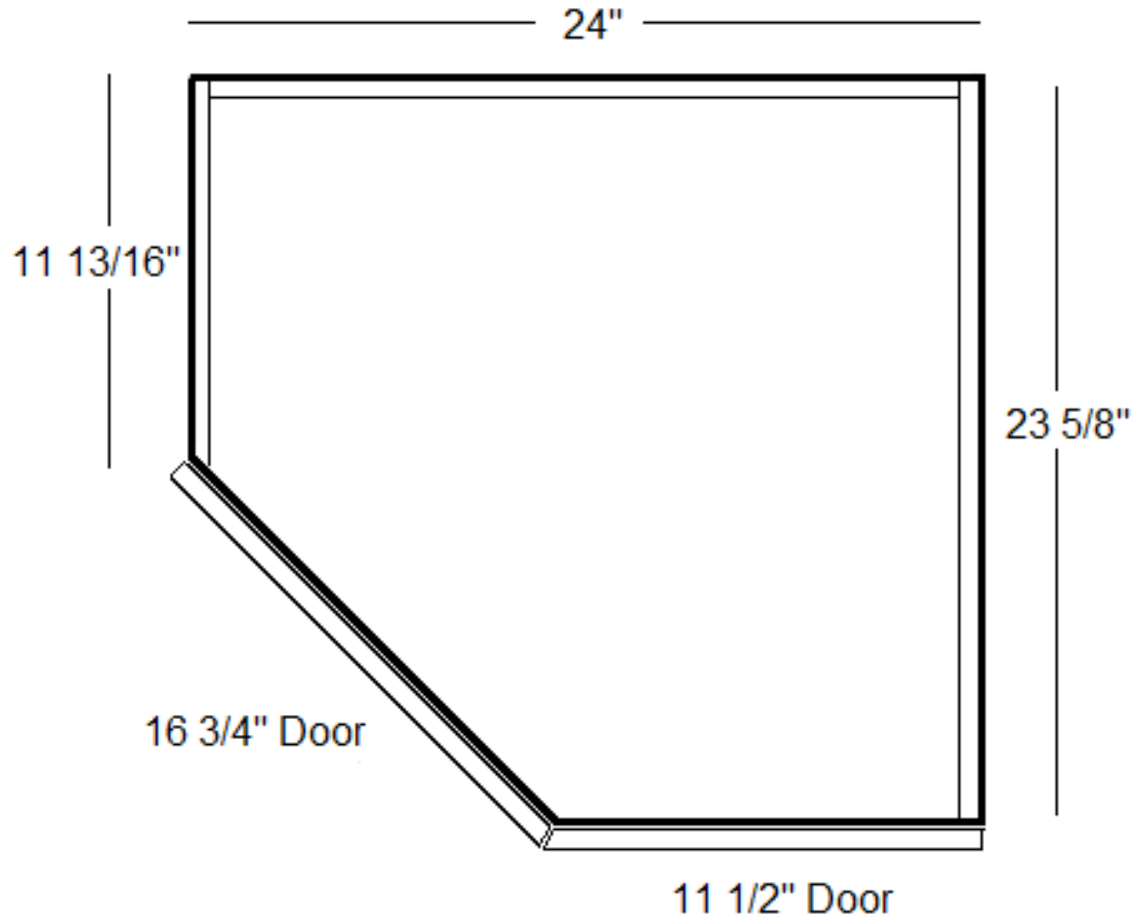


(705) 808-1038 Customer Service
(866) 376-4316 Fax

www.canadianacabinets.com

Specifications K 15

FHBAE24DD



Full Height Base Angled End 24 Double Door

Scale: To Fit

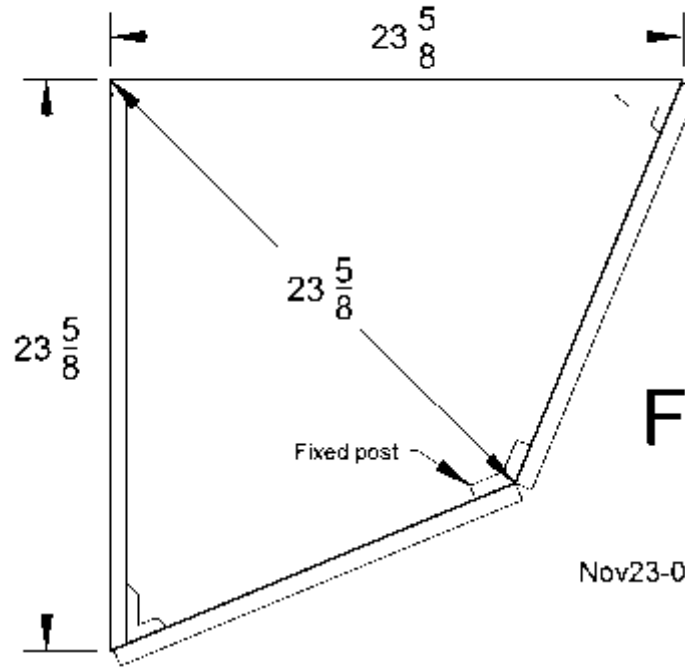
Approved By:



(705) 808-1038 Customer Service
(866) 376-4316 Fax

www.canadianacabinets.com

Specifications K 16



FHBA2424

Nov23-05

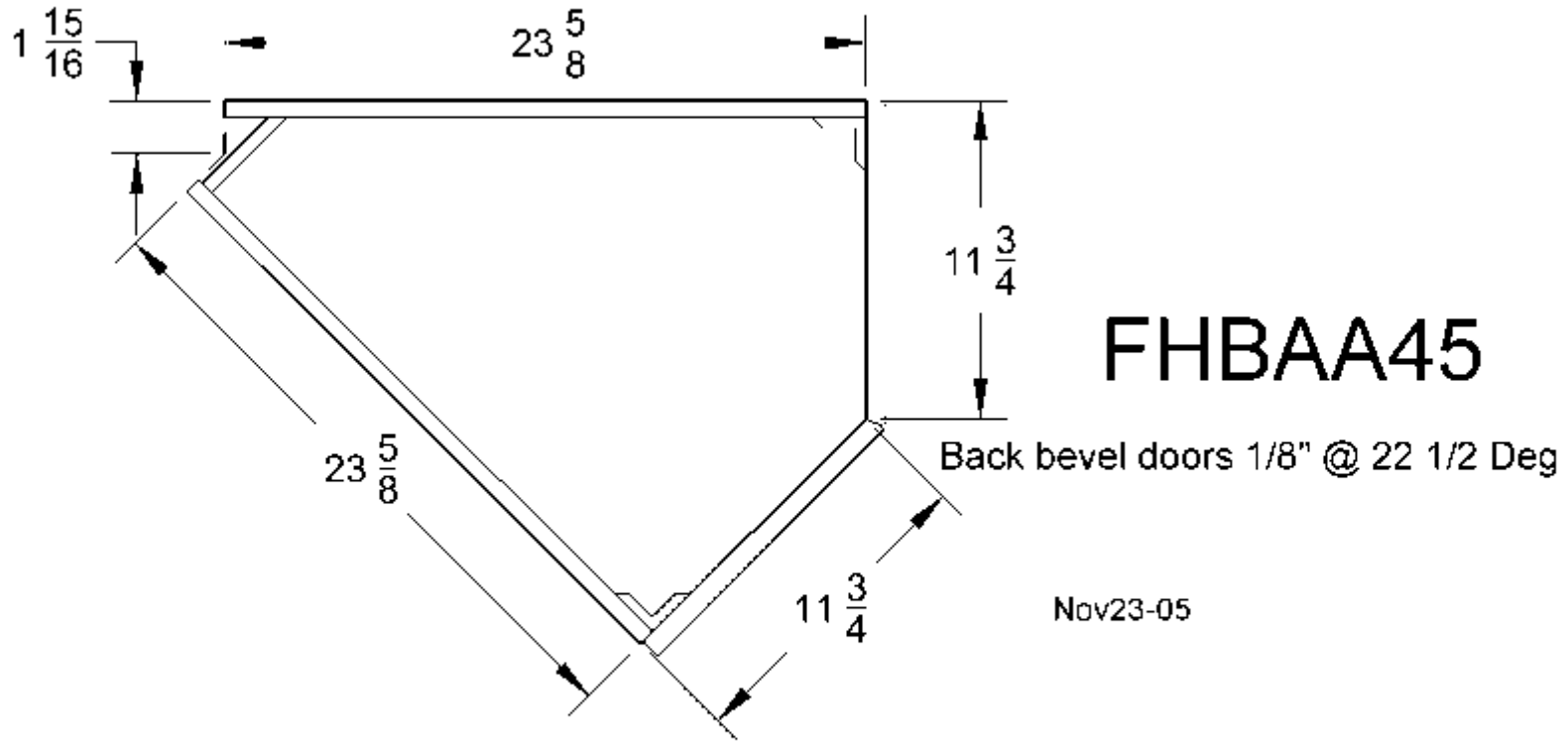


Full Height Base Angle Angle Cabinet		
Scale: To Fit	Approved By:	

(705) 808-1038 Customer Service
(866) 376-4316 Fax

www.canadianacabinets.com

Specifications K 17



FHBA45

Back bevel doors 1/8" @ 22 1/2 Deg

Nov23-05

Full Height Base Angle Angle 45°

Scale: To Fit

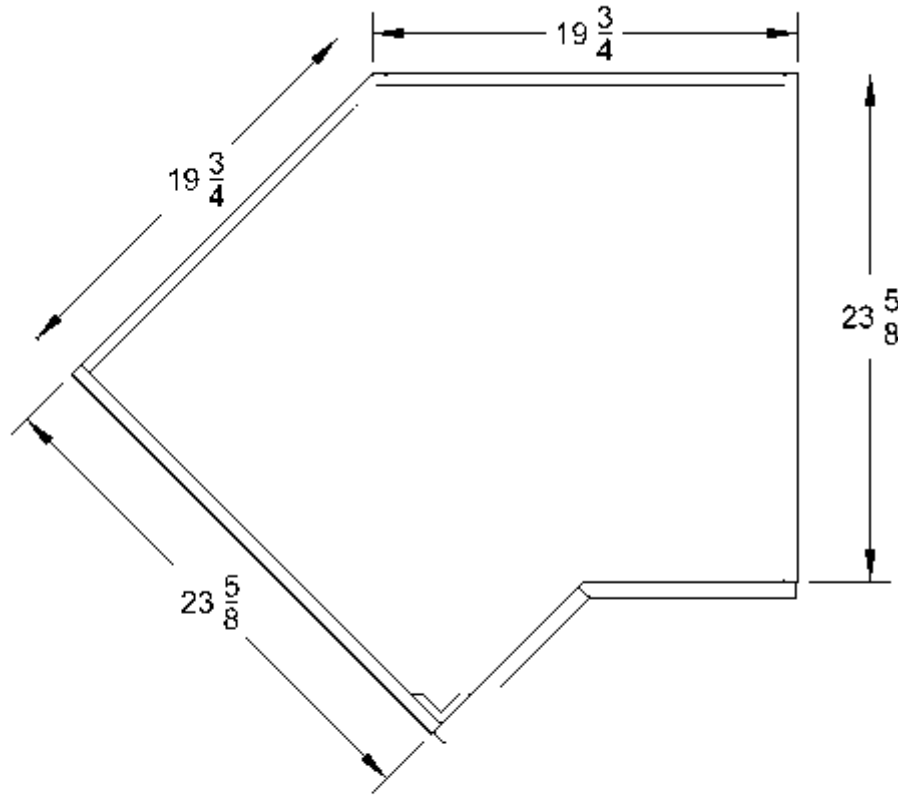
Approved By:



(705) 808-1038 Customer Service
(866) 376-4316 Fax

www.canadianacabinets.com

Specifications K 18



FHBA135

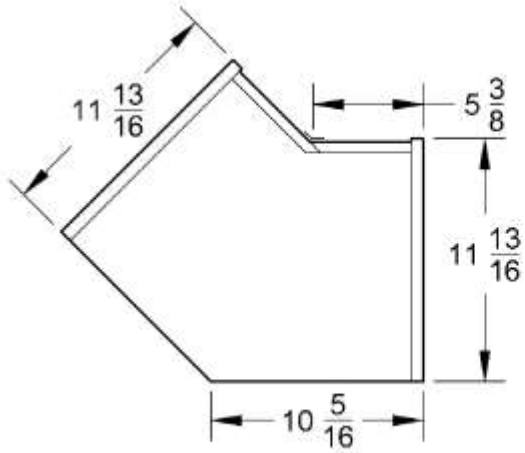


Full Height Base Angle 135°		
Scale: To Fit	Approved By:	

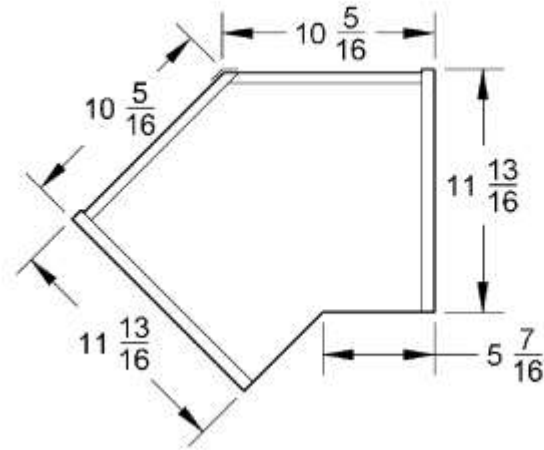
(705) 808-1038 Customer Service
(866) 376-4316 Fax

www.canadianacabinets.com

Specifications K 19



BOS225



BOS135

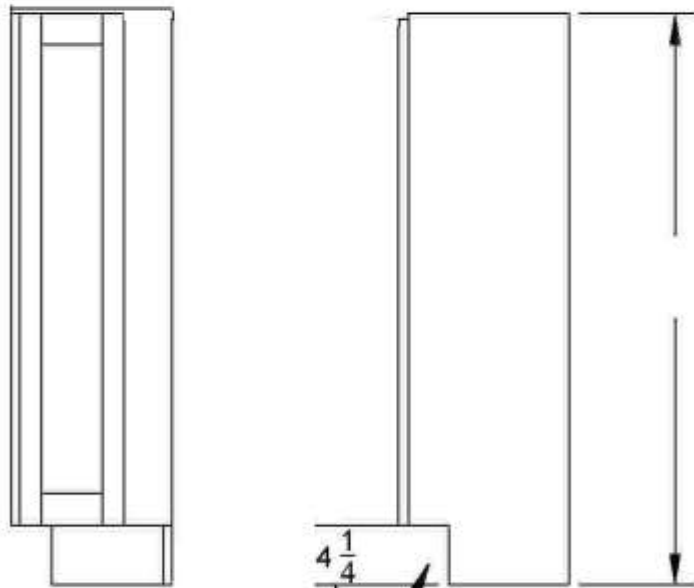


Open Shelf 135° & 225° Angled Cabinets		
Scale: To Fit	Approved By:	

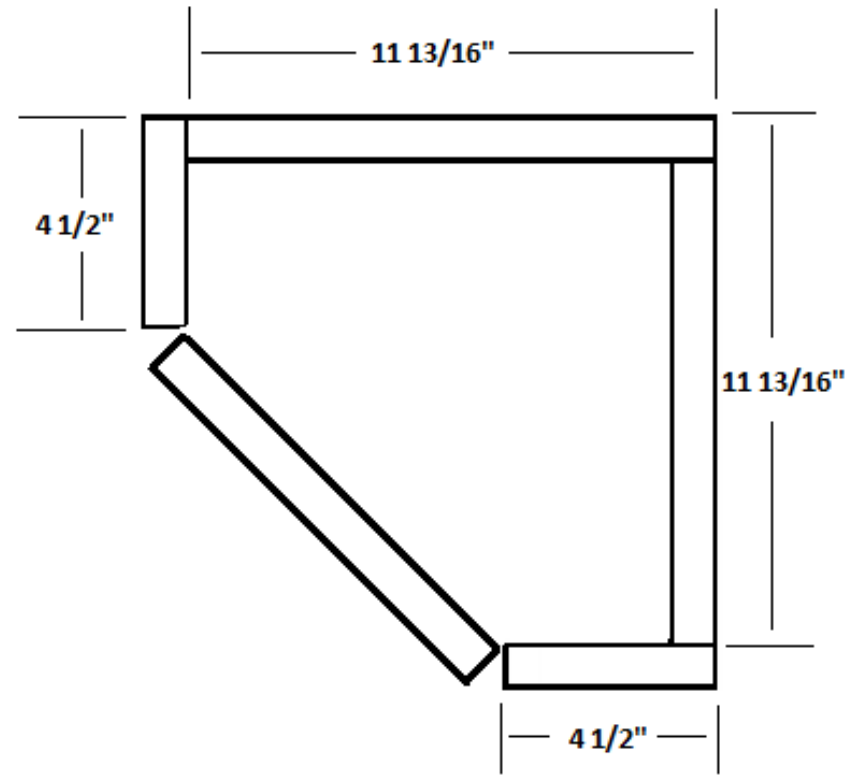
(705) 808-1038 Customer Service
(866) 376-4316 Fax

www.canadianacabinets.com

Specifications K 20



Cutout gable for kick



Gables Notched For Kick

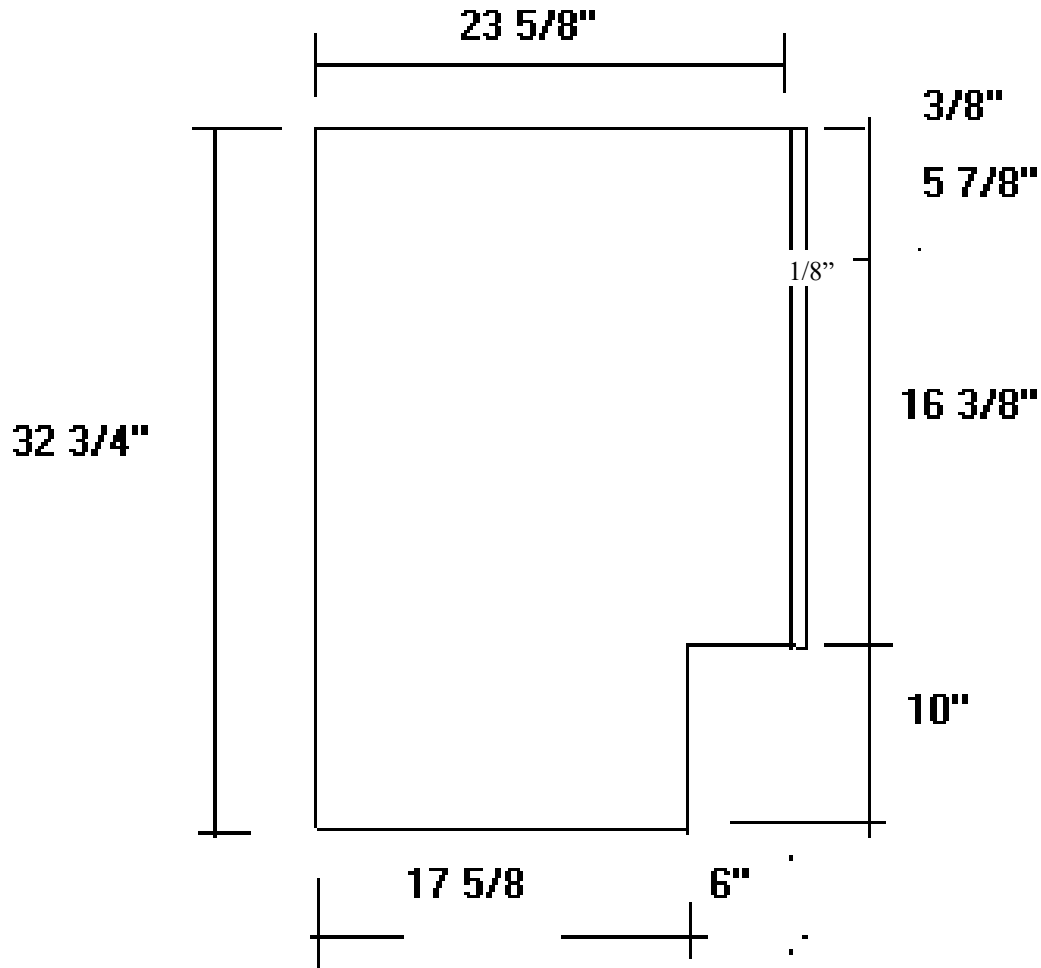


Full Height Base Corner Hutch 12 - 12		
Scale: To Fit	Approved By:	

(705) 808-1038 Customer Service
(866) 376-4316 Fax

www.canadianacabinets.com

Specifications K 21



EASY ACCESS BASE (EA)

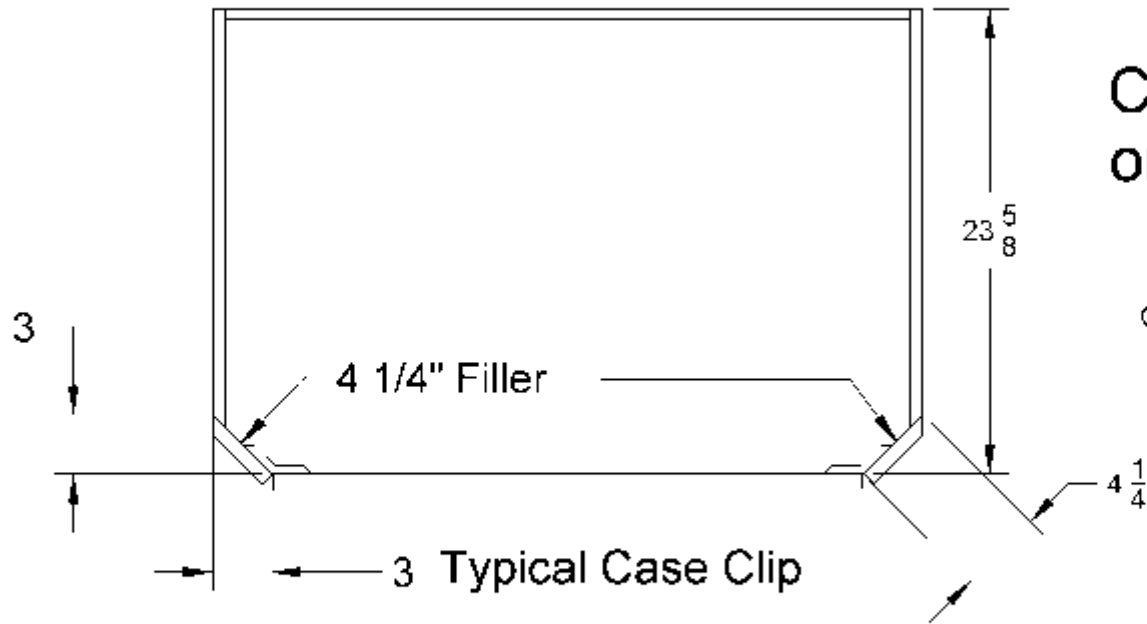


Easy Access Base Cabinet		
Scale: To Fit	Approved By:	

(705) 808-1038 Customer Service
(866) 376-4316 Fax

www.canadianacabinets.com

Specifications K 22



Clip Base c/w Filler or FFC

Oct12-06

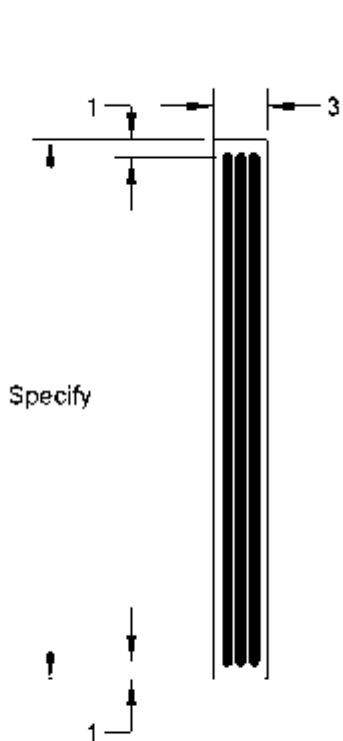
Clipped Corners on Base Cabinet		
Scale: To Fit	Approved By:	



(705) 808-1038 Customer Service
(866) 376-4316 Fax

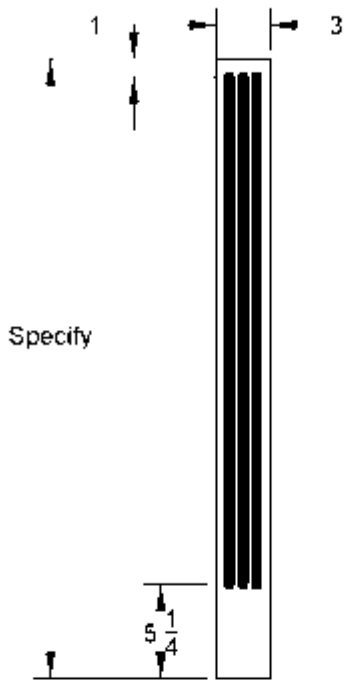
www.canadianacabinets.com

Specifications K 23

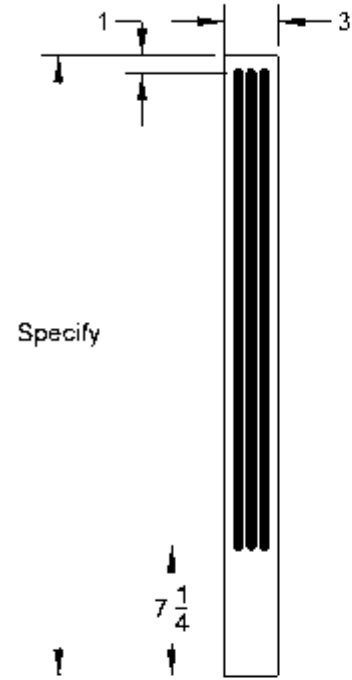


Standard 3" Upper Fluted Filler

Oct12-06



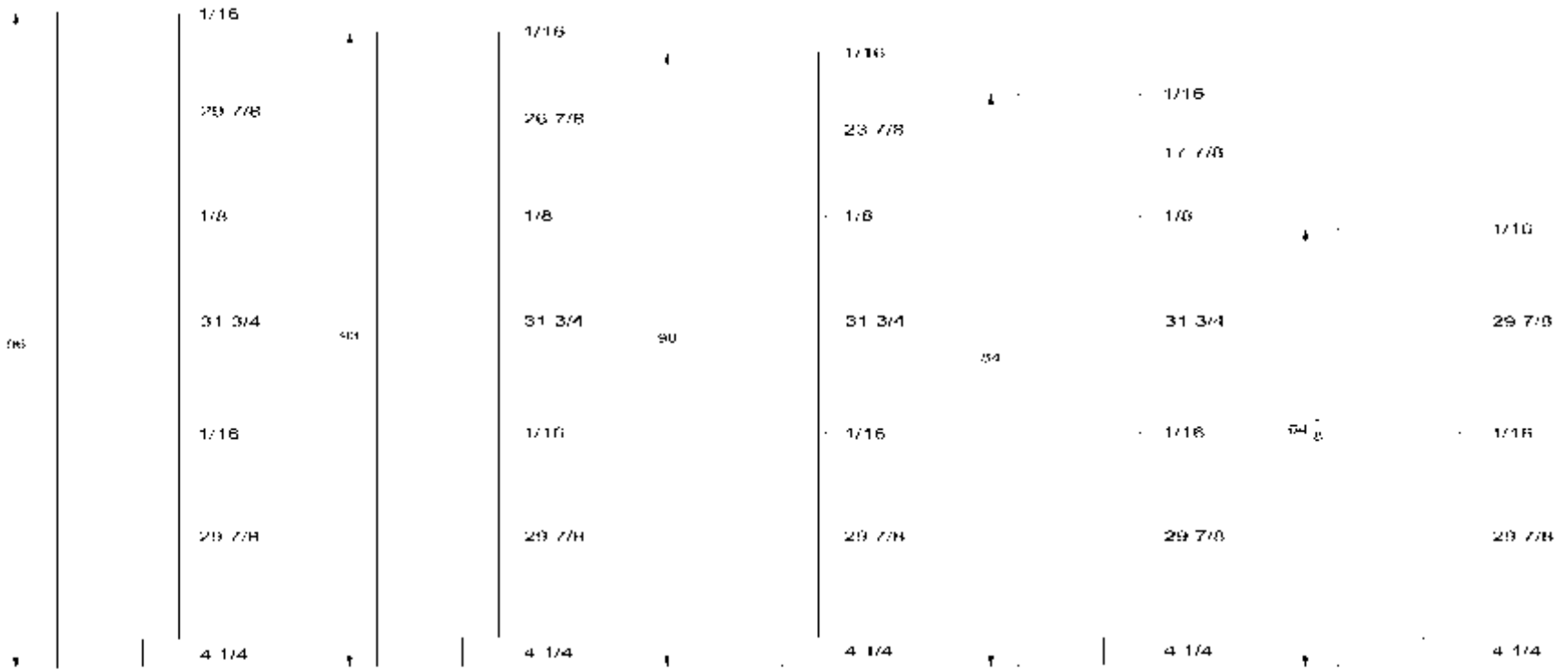
Standard Base
& Tall 3" Fluted Filler



Standard Vanity Base
& Vanity Tall 3" Fluted Filler



Fluted Filler Standard Detail		
Scale: To Fit	Approved By:	



Tall cabinets available in 11 13/16", 17 5/8", 20 5/8" and 23 5/8" deep

Rev. 119



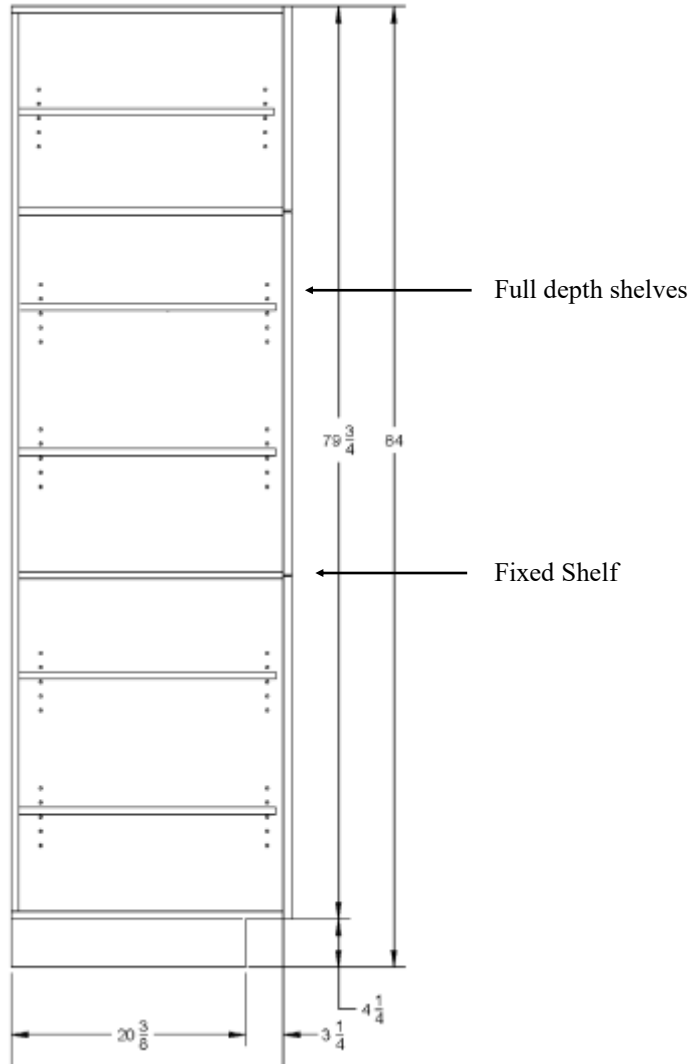
Tall Pantry Side View		
Scale: To Fit	Approved By:	

(705) 808-1038 Customer Service
 (866) 376-4316 Fax

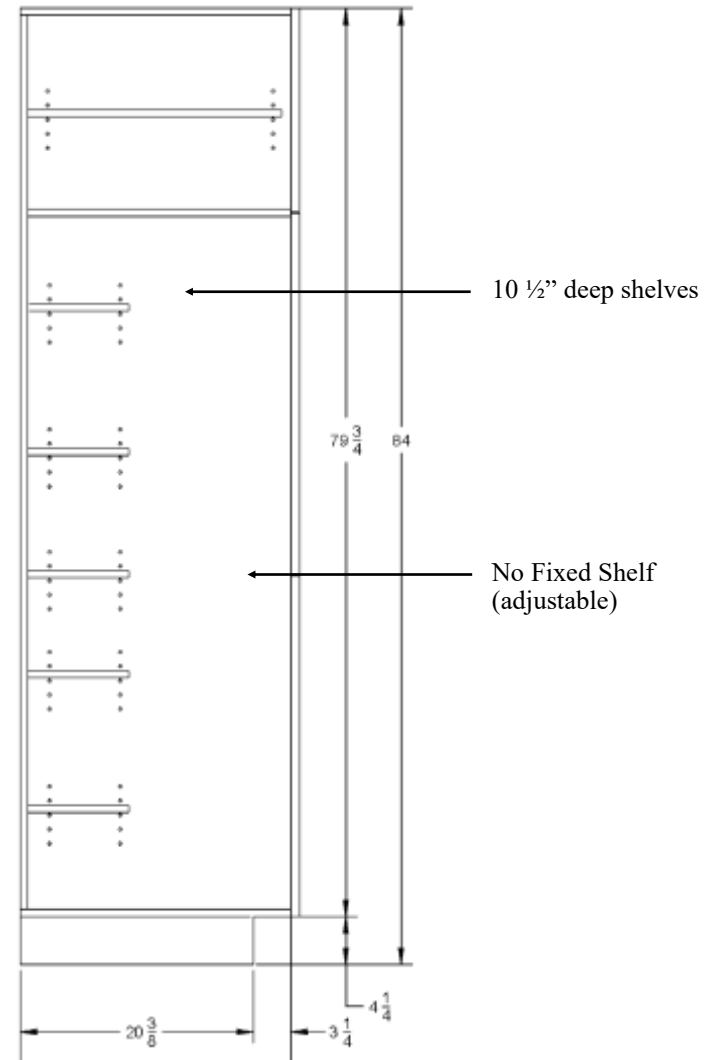
www.canadianacabinets.com

Specifications K 25

Tall Pantry (84" high)

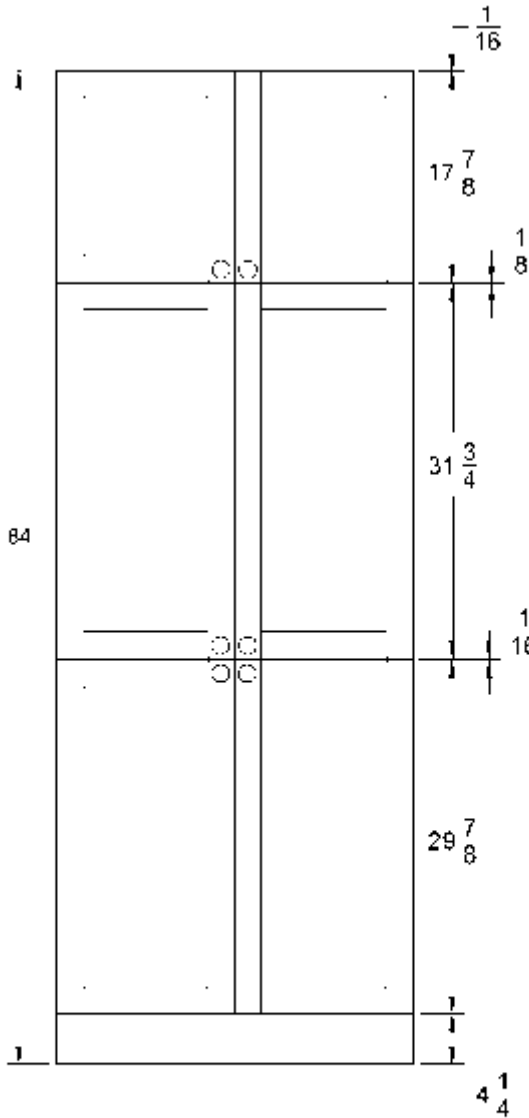


Tall Broom (84" high)



Tall Pantry Cross Section		
Scale: To Fit	Approved By:	





Tall HEIGHTS	Top Door Height
90" high	23.875"
93" high	26.875"
96" high	29.875"

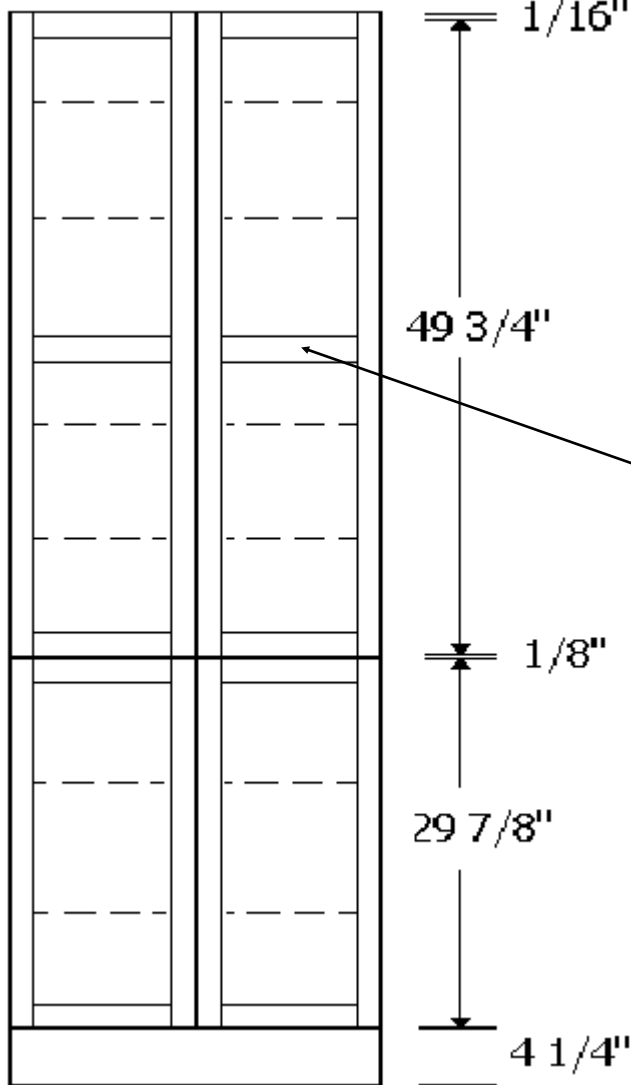
Standard Door Sizes shown here.
 Alternate Door layouts shown on the next page.
 If sizes other than these are wanted, a quote is required.

Please note:
 Large doors are more likely to warp.
 Doors requested larger than 42" will not be covered under warranty if warping occurs, unless ordered with a center rail.

Tall Elevation		
Scale: To Fit	Approved By:	



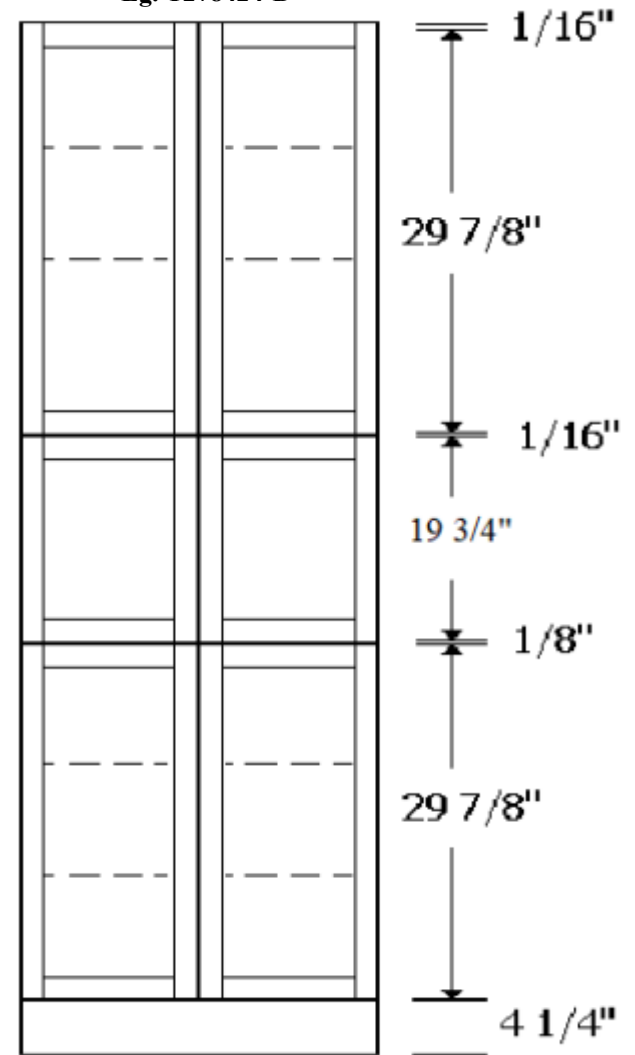
Alternate A Tall
Eg. T278424-A



Tall-A HEIGHTS	Bottom Door Height
84" high	29 7/8"
87" high	32 7/8"
90" high	35 7/8"
93" high	38 7/8"
96" high	41 7/8"

Doors over 48" high require a center rail (to be covered under warranty)

Alternate B Tall
Eg. T278424-B



Tall-B HEIGHTS	Middle Door Height
84" high	19 3/4"
87" high	22 3/4"
90" high	25.3/4"
93" high	28 3/4"
96" high	31 3/4"

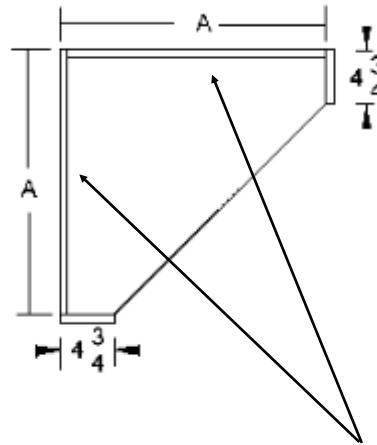
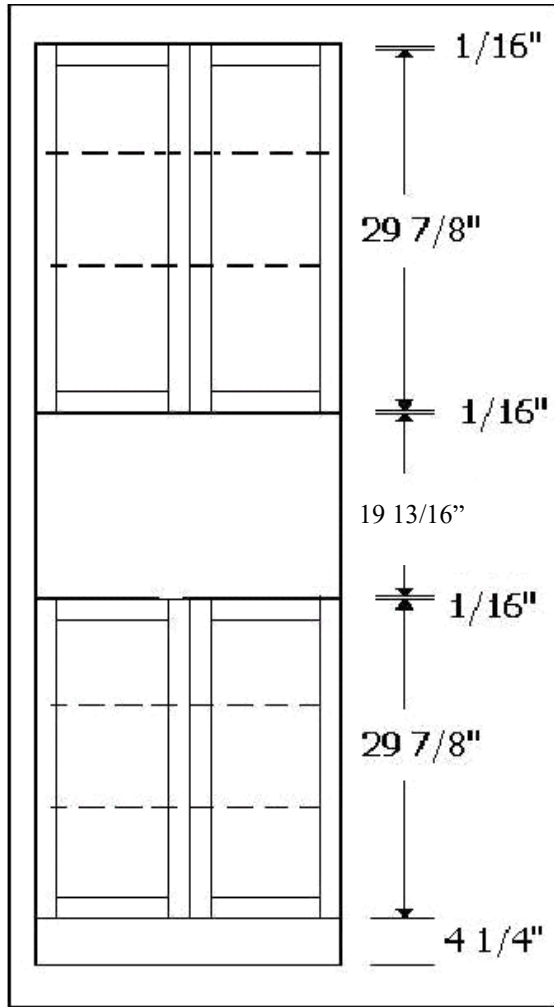
Alternate Tall Cabinets

Scale: To Fit

Approved By:



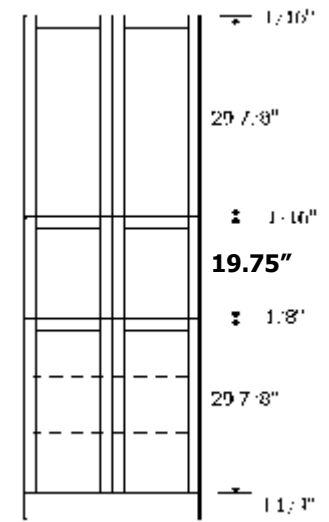
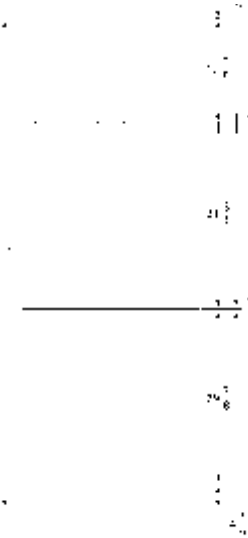
THC248424



CABINET	DOORS	DIMENSION A
FHBCH1818 THC188418 TC188418	Single Door 18 3/8"w	17 5/8"
FHBCH2121 THC218421 TC218421	Two 11 1/4"w DOORS	20 5/8"
FHBCH2424 THC248424 TC248424	Two 13 3/8"w DOORS	23 5/8"
FHBCH2727 THC278427 TC278427	Two 15 3/4"w DOORS	27"
FHBCH3030 THC308430 TC308430	Two 17 7/8"w DOORS	30"

TC248424-A DOOR FRONT SIZING
(Standard Pantry door heights)

TC248424-B DOOR FRONT SIZING
(Alternate Door Elevation)



	Tall-A Elevation	Tall-B Elevation
CABINET HEIGHTS	Top Door Height	Top Door Height
84" high	17 7/8"	29 7/8"
90" high	23 7/8"	35 7/8"
93" high	26 7/8"	38 7/8"
96" high	29 7/8"	41 7/8"



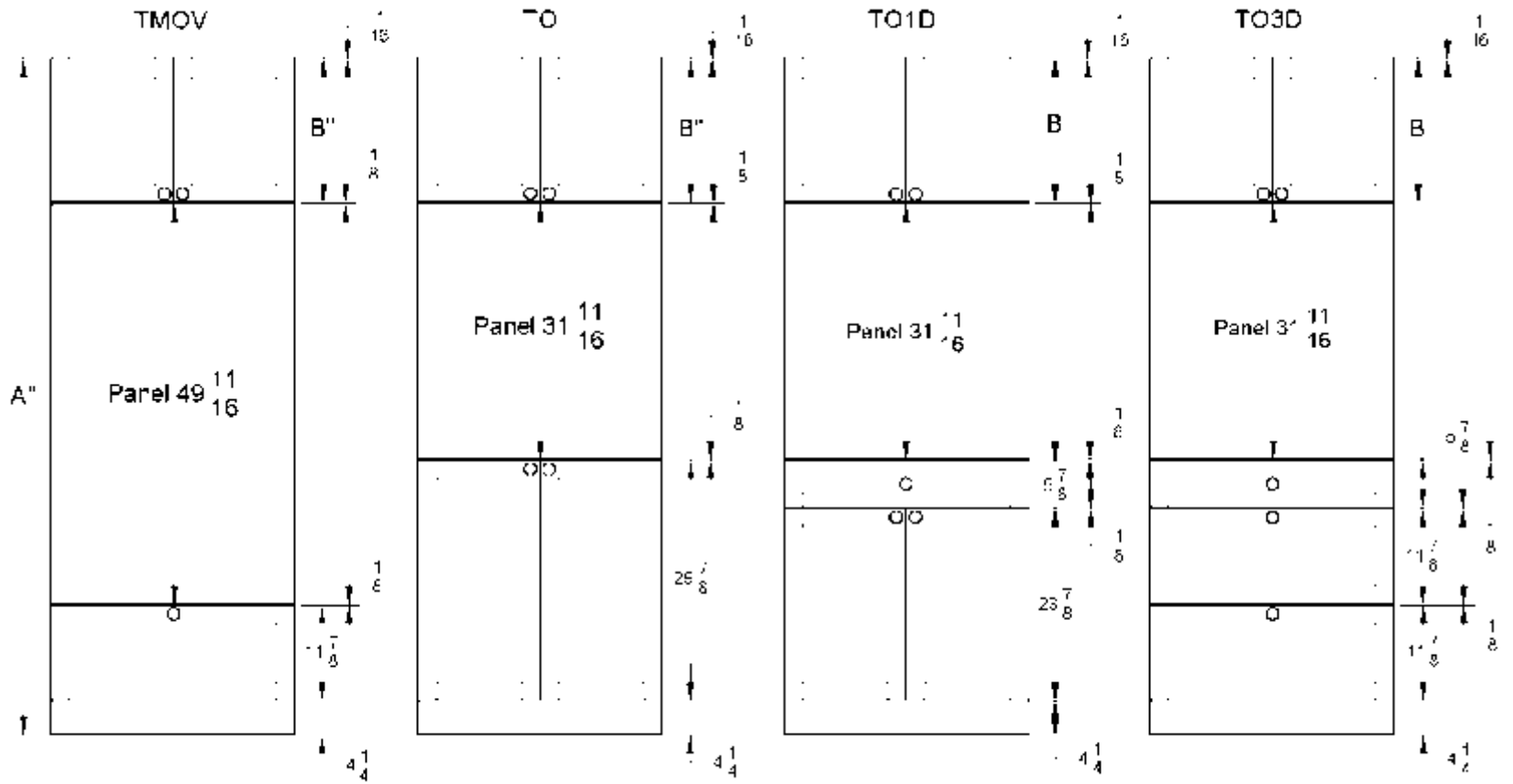
Tall Hutch Corner Cabinets		
Scale: To Fit	Approved By:	

(705) 808-1038 Customer Service
(866) 376-4316 Fax

www.canadianacabinets.com

Specifications K 29

CABINET HEIGHT (A)	"B" DOOR HEIGHT
84" high	17 7/8"
90" high	23 7/8"
93" high	26 7/8"
96" high	29 7/8"



Tall Oven Cabinets

Scale: To Fit

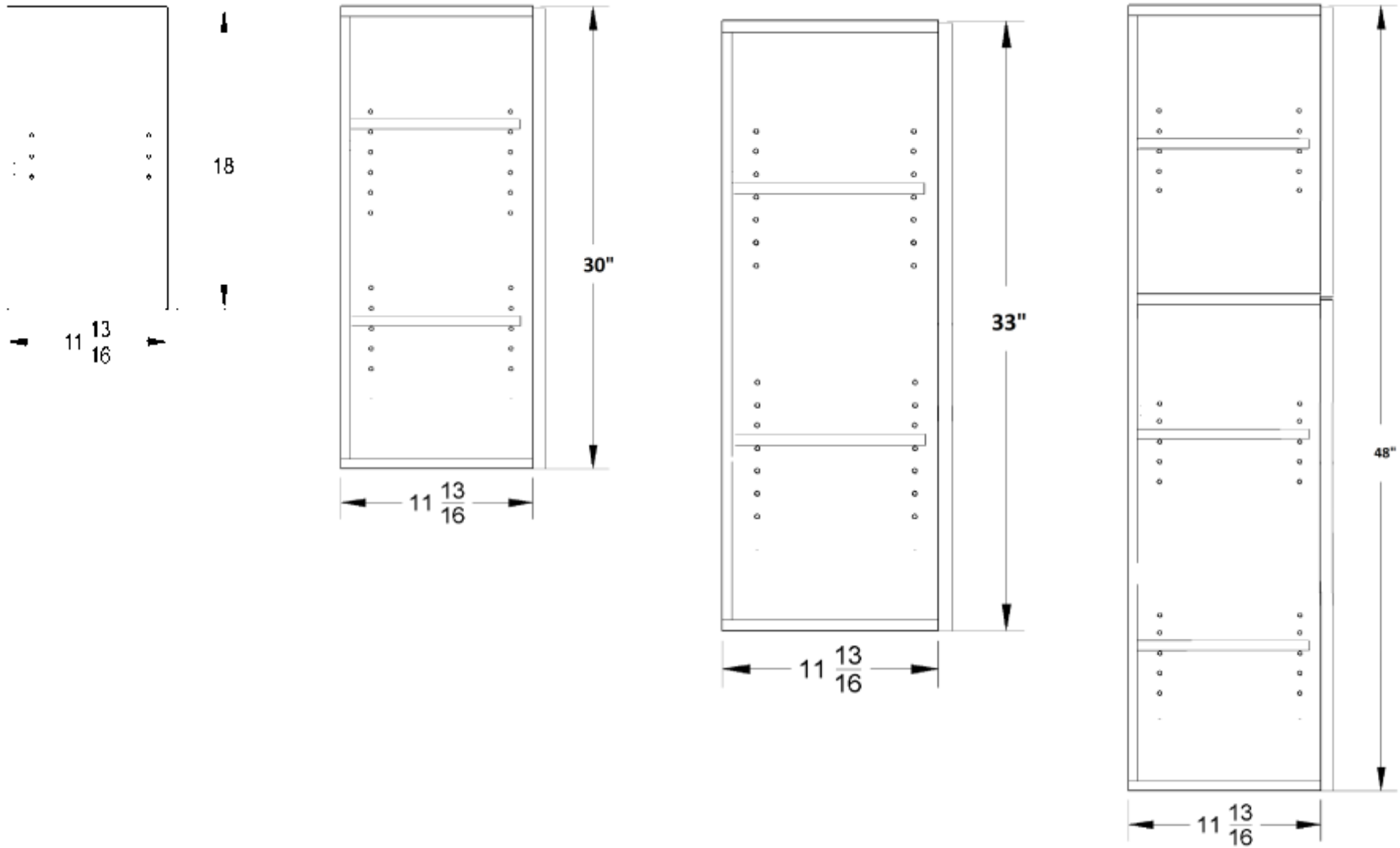
Approved By:



(705) 808-1038 Customer Service
 (866) 376-4316 Fax

www.canadianacabinets.com

Specifications K 30



Upper Cabinets Cross Section

Scale: To Fit

Approved By:

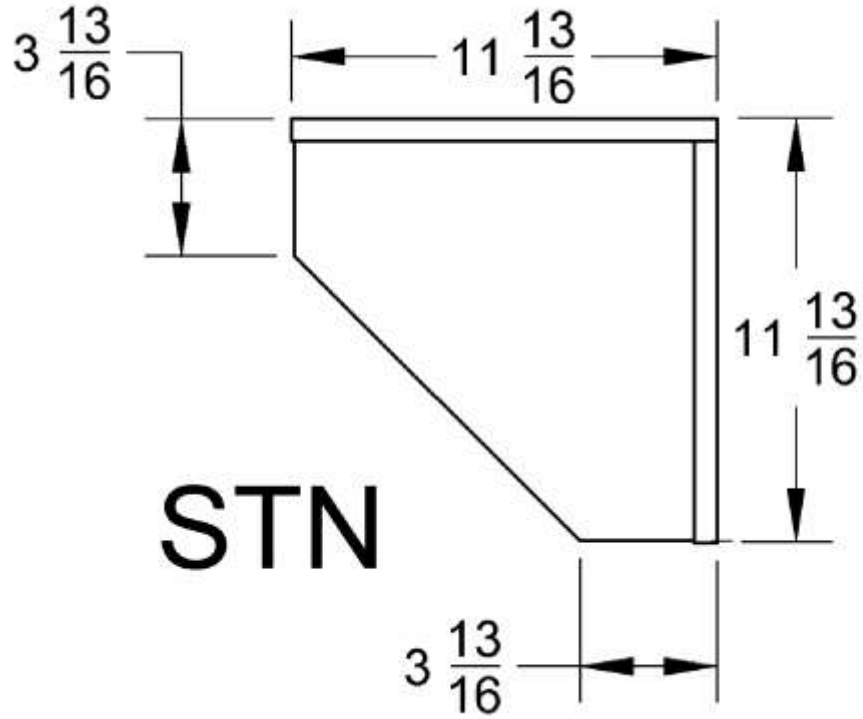


(705) 808-1038 Customer Service
(866) 376-4316 Fax

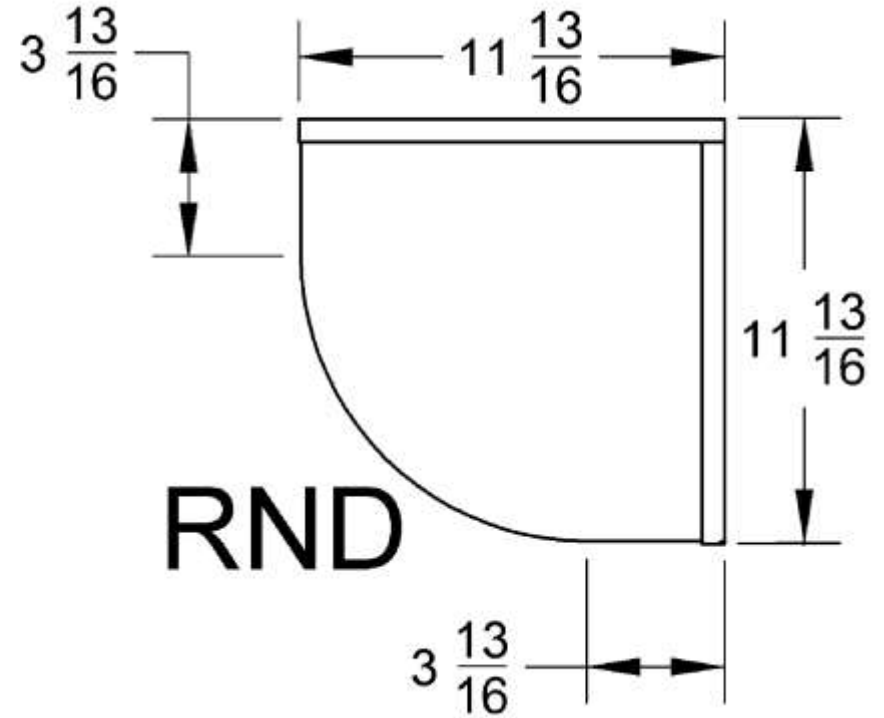
www.canadianacabinets.com

Specifications K 31

UOS12STN



UOS12RND



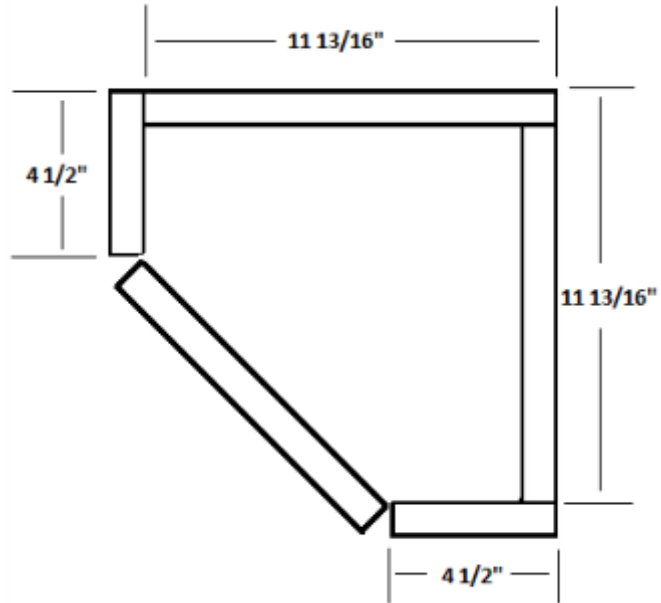
Upper Open Shelves

Scale: To Fit

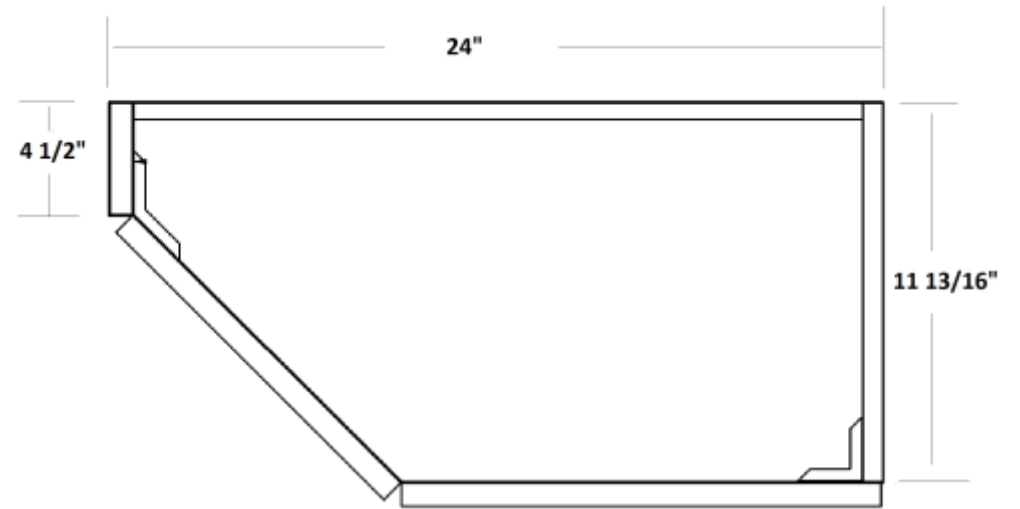
Approved By:



UAE1230



UAE2430DDL

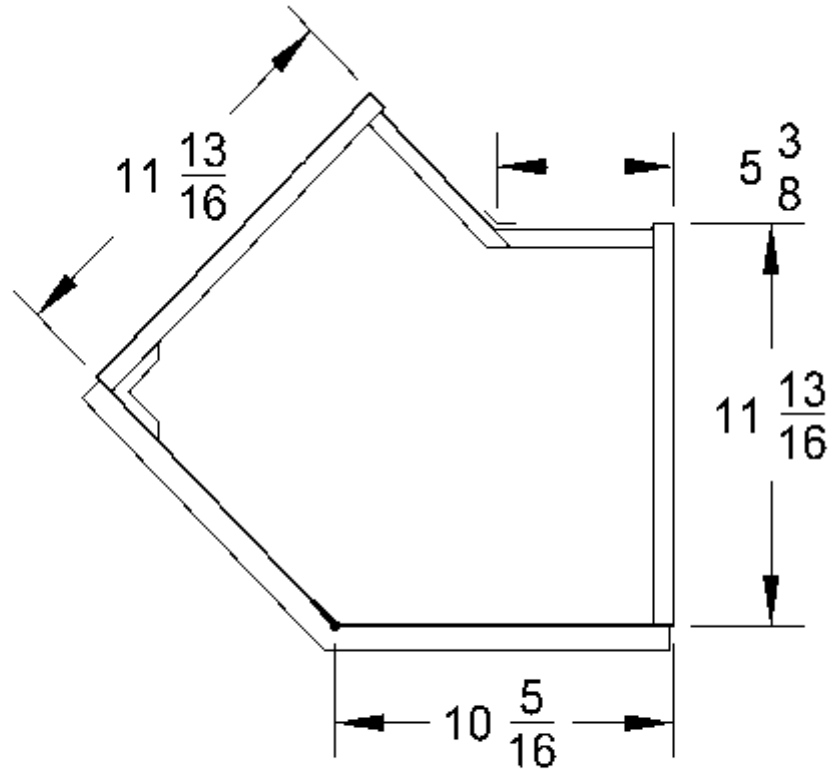


Upper Angled End Cabinets		
Scale: To Fit	Approved By:	

(705) 808-1038 Customer Service
(866) 376-4316 Fax

www.canadianacabinets.com

Specifications K 33



UCC225

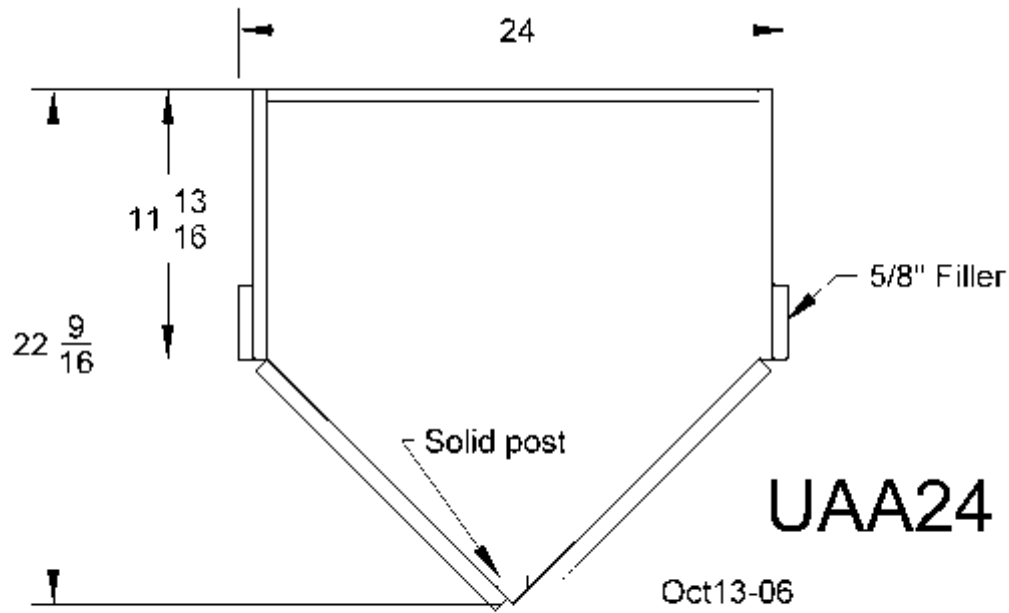


Upper Angled End Cabinet		
Scale: To Fit	Approved By:	

(705) 808-1038 Customer Service
(866) 376-4316 Fax

www.canadianacabinets.com

Specifications K 34



Upper Angle Cabinet		
Scale: To Fit	Approved By:	

(705) 808-1038 Customer Service
(866) 376-4316 Fax

www.canadianacabinets.com

Specifications K 35

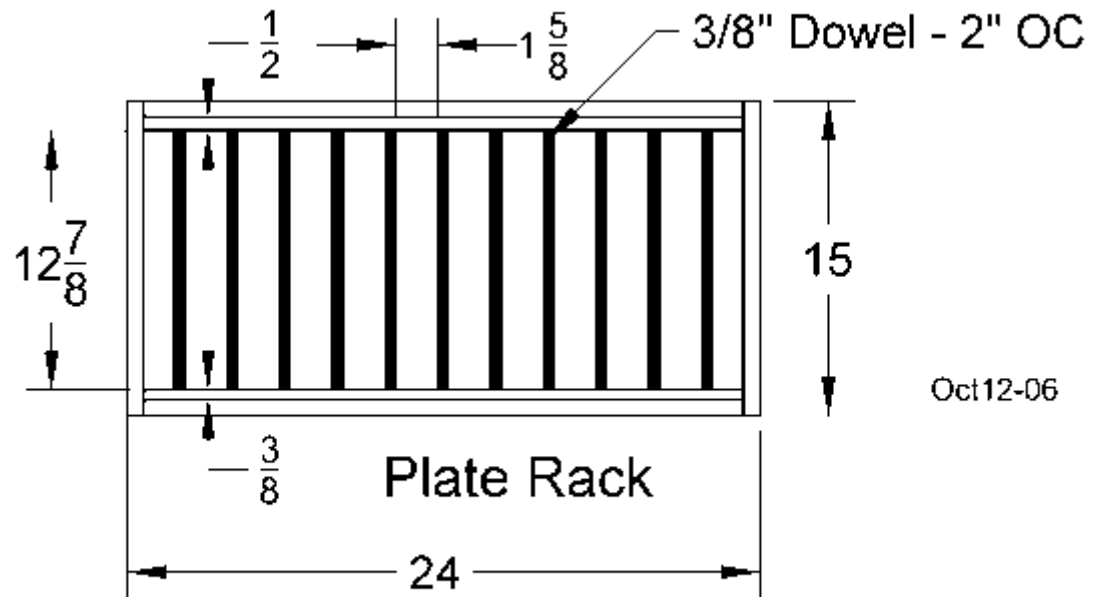
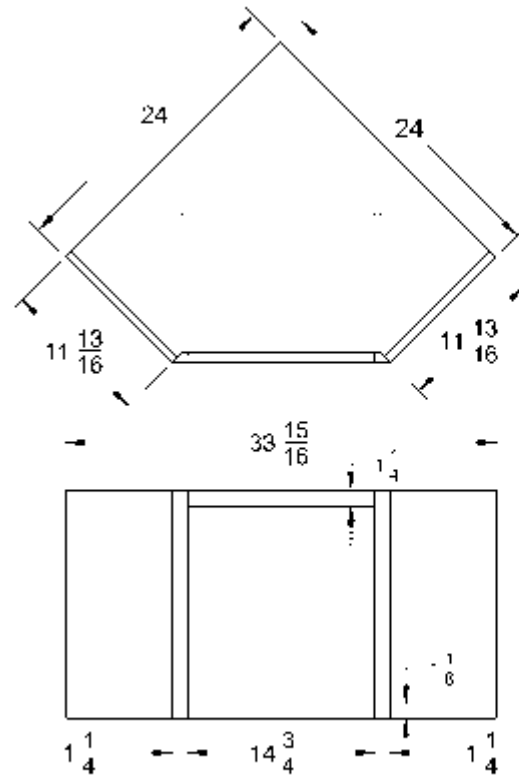
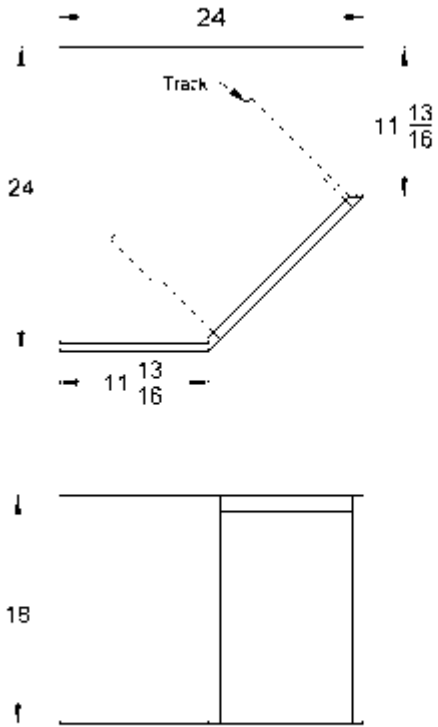


Plate Rack Insert in U2415		
Scale: To Fit	Approved By:	

(705) 808-1038 Customer Service
(866) 376-4316 Fax

www.canadianacabinets.com

Specifications K 36



CAG24

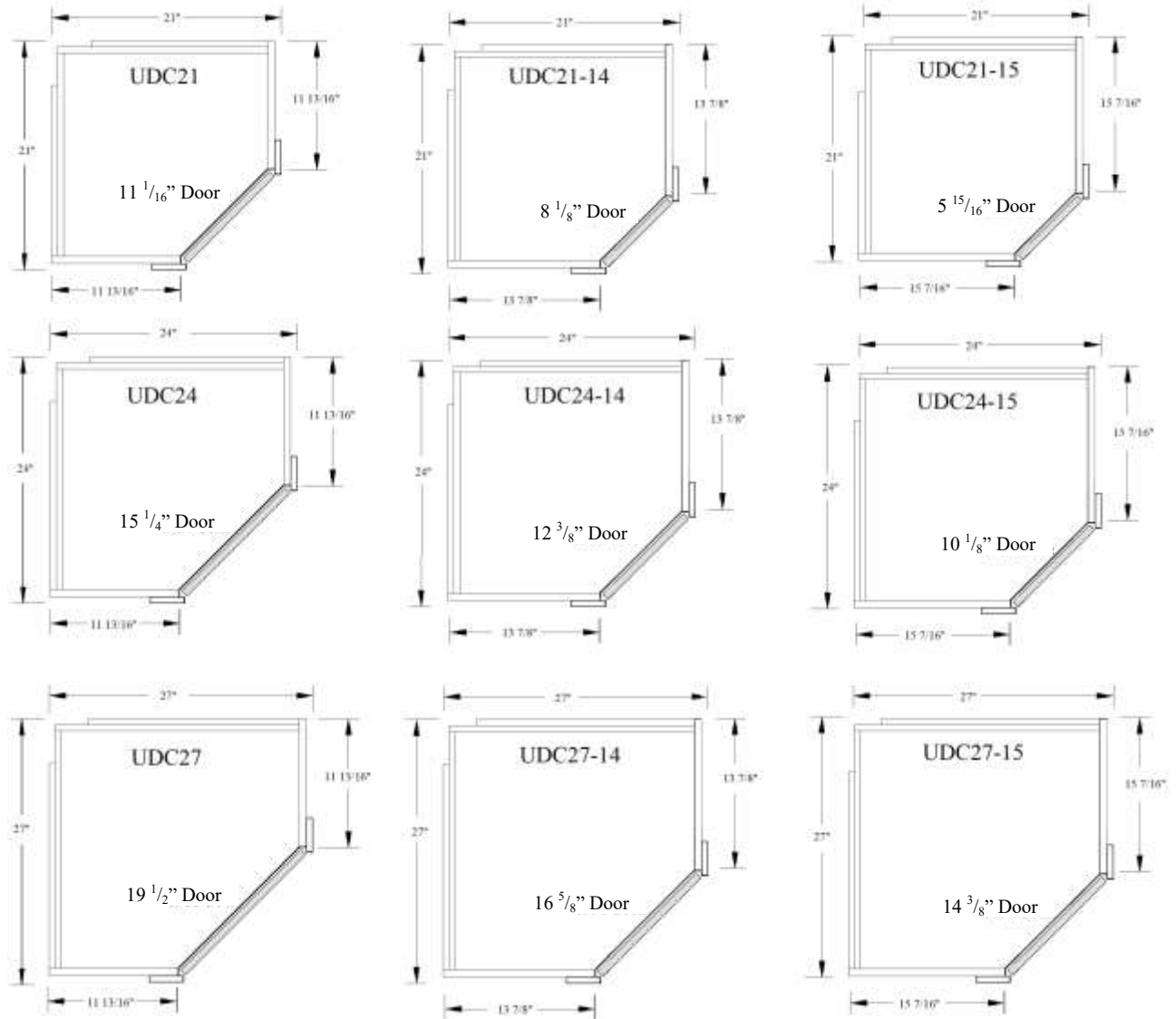
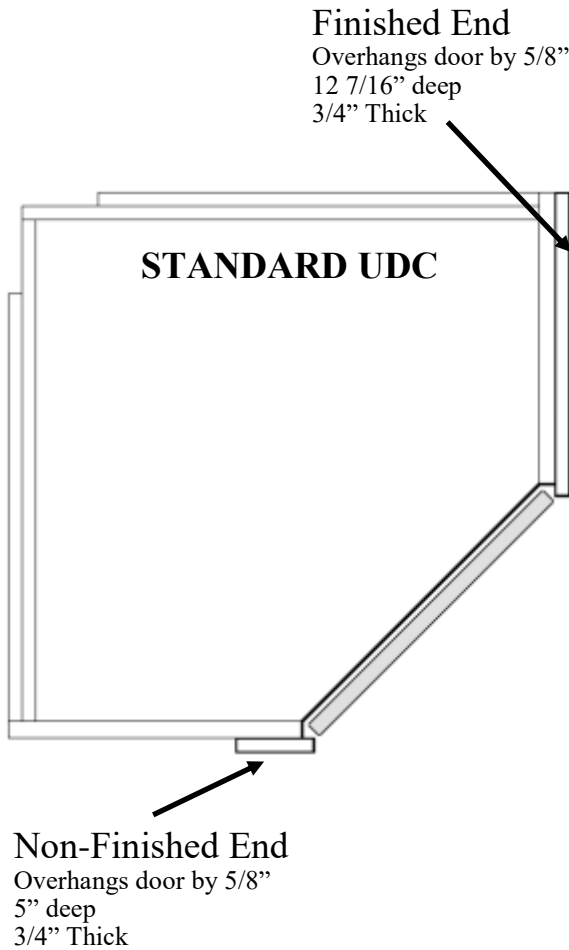


Corner Appliance Garage		
Scale: To Fit	Approved By:	

(705) 808-1038 Customer Service
 (866) 376-4316 Fax

www.canadianacabinets.com

Specifications K 37



Upper Diagonal Corner Specs

Scale: To Fit

Approved By:

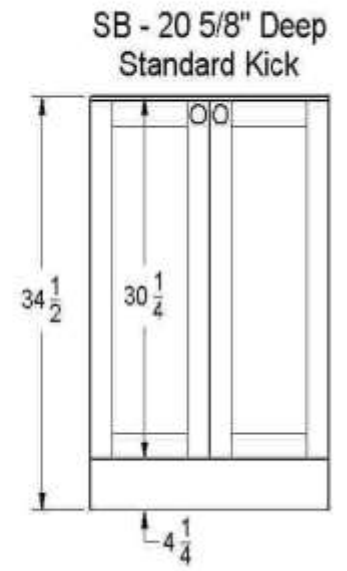
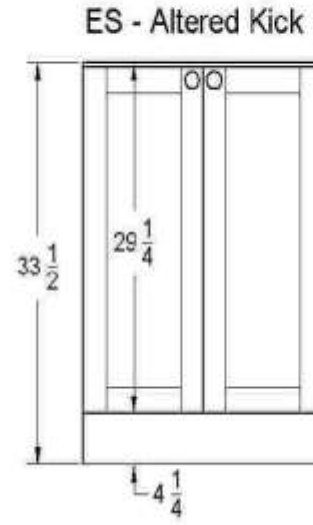
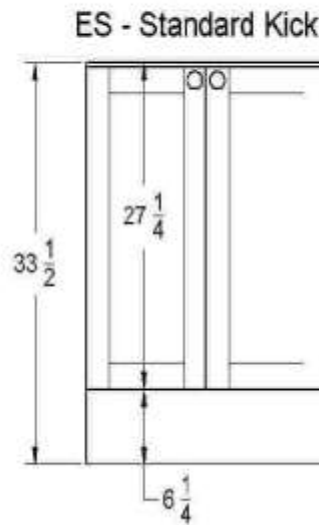
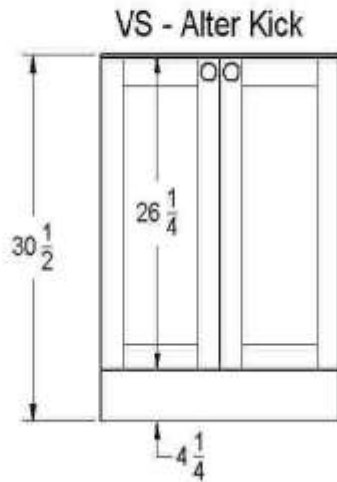
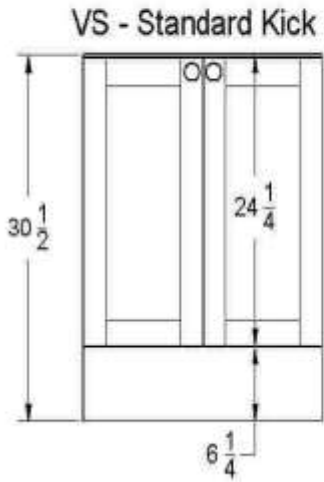


(705) 808-1038 Customer Service
(866) 376-4316 Fax

www.canadianacabinets.com

Specifications K 38

Vanity Options



Vanity Base Options

Scale: To Fit

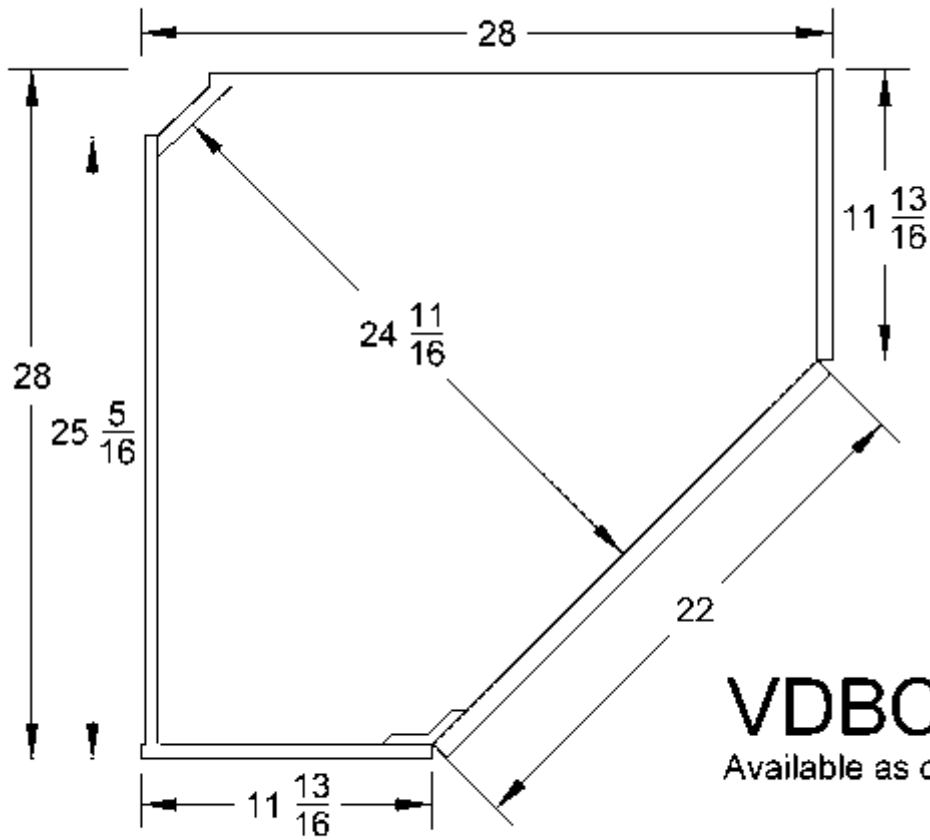
Approved By:



(705) 808-1038 Customer Service
(866) 376-4316 Fax

www.canadianacabinets.com

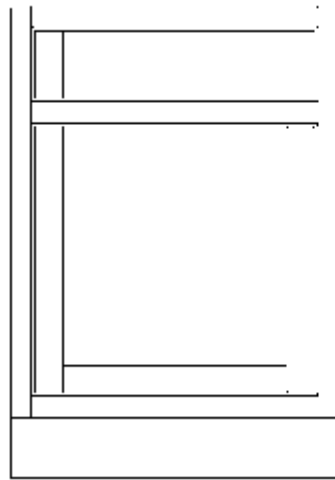
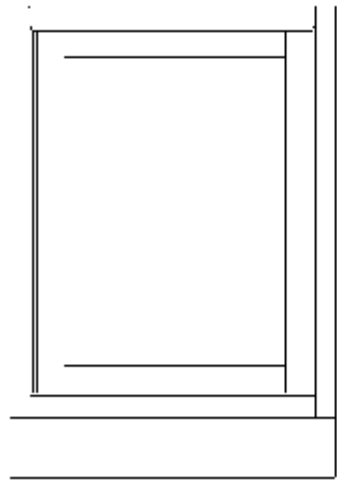
Specifications K 39



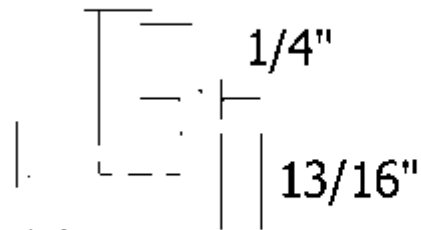
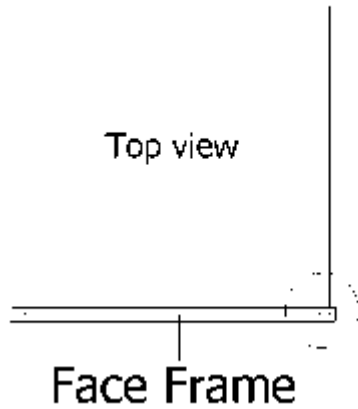
VDBCS28
Available as double door (VDBCS28DD)

Vanity Diagonal Base Corner Sink - 28" Wide		
Scale: To Fit	Approved By:	

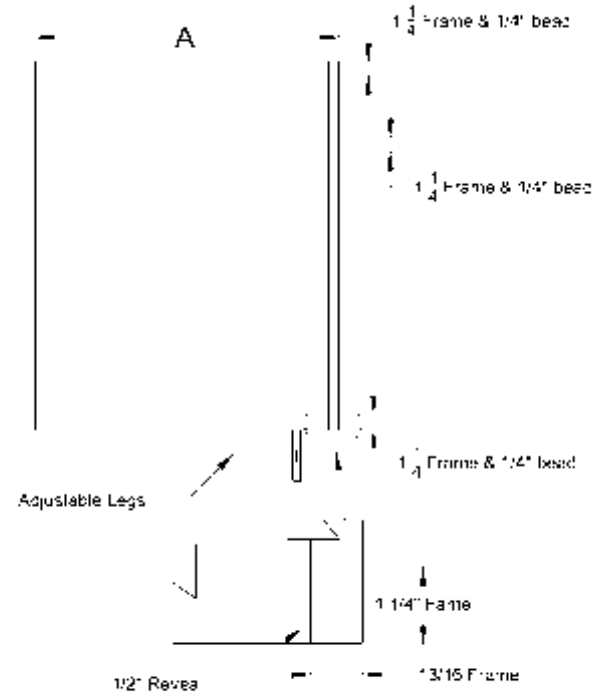




Cabinets wider than 24"
will have double doors.



Avonlea Base



CABINET CODES	DEPTHS
B	24"
B-21	21 5/16"
B-18	17 15/16"
B-12	12 7/16"

Avonlea Base

Scale: To Fit

Approved By:

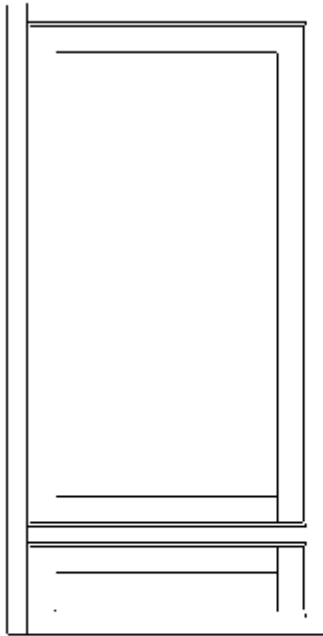


(705) 808-1038 Customer Service
(866) 376-4316 Fax

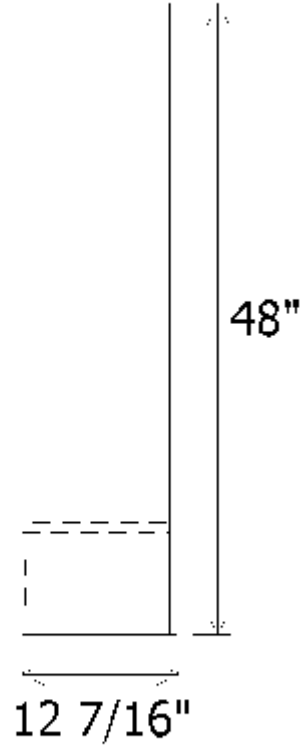
www.canadianacabinets.com

Specifications K 41

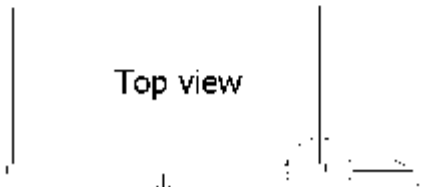
UDD2448



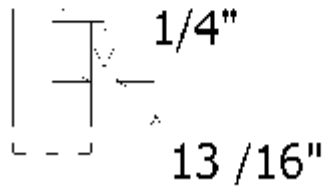
Left Side view



Top view



Face Frame



Avonlea Upper Door Drawer Cabinet

Scale: To Fit

Approved By:

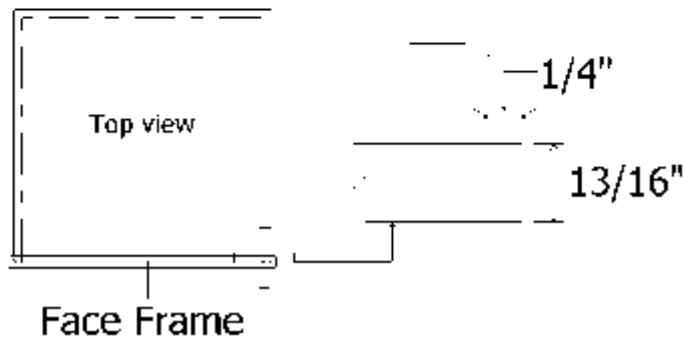
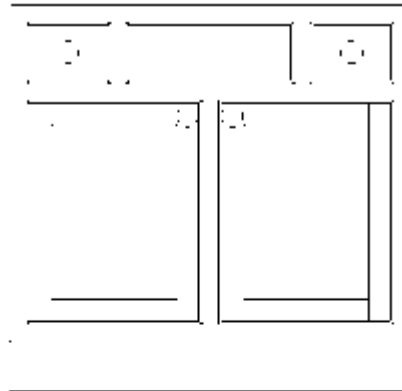


(705) 808-1038 Customer Service
(866) 376-4316 Fax

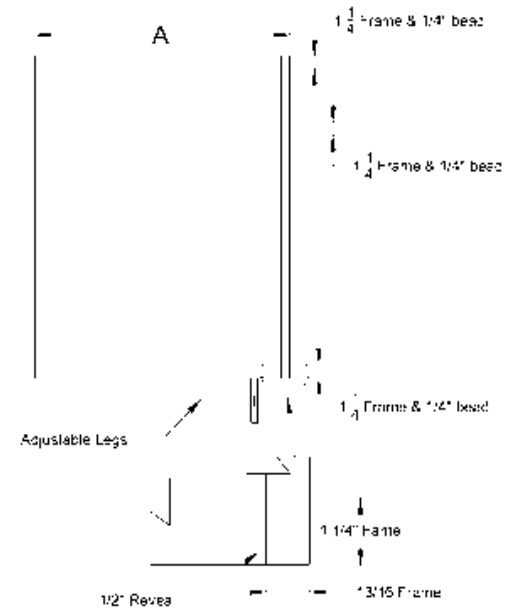
www.canadianacabinets.com

Specifications K 42

Note: Door matched drawers may not be available in all door styles



Avonlea Base



CABINET CODES	DEPTHS
B	24"
B-21	21 5/16"
B-18	17 15/16"
B-12	12 7/16"

Avonlea Vanity Base Sink Cabinet (VBS)		
Scale: To Fit	Approved By:	

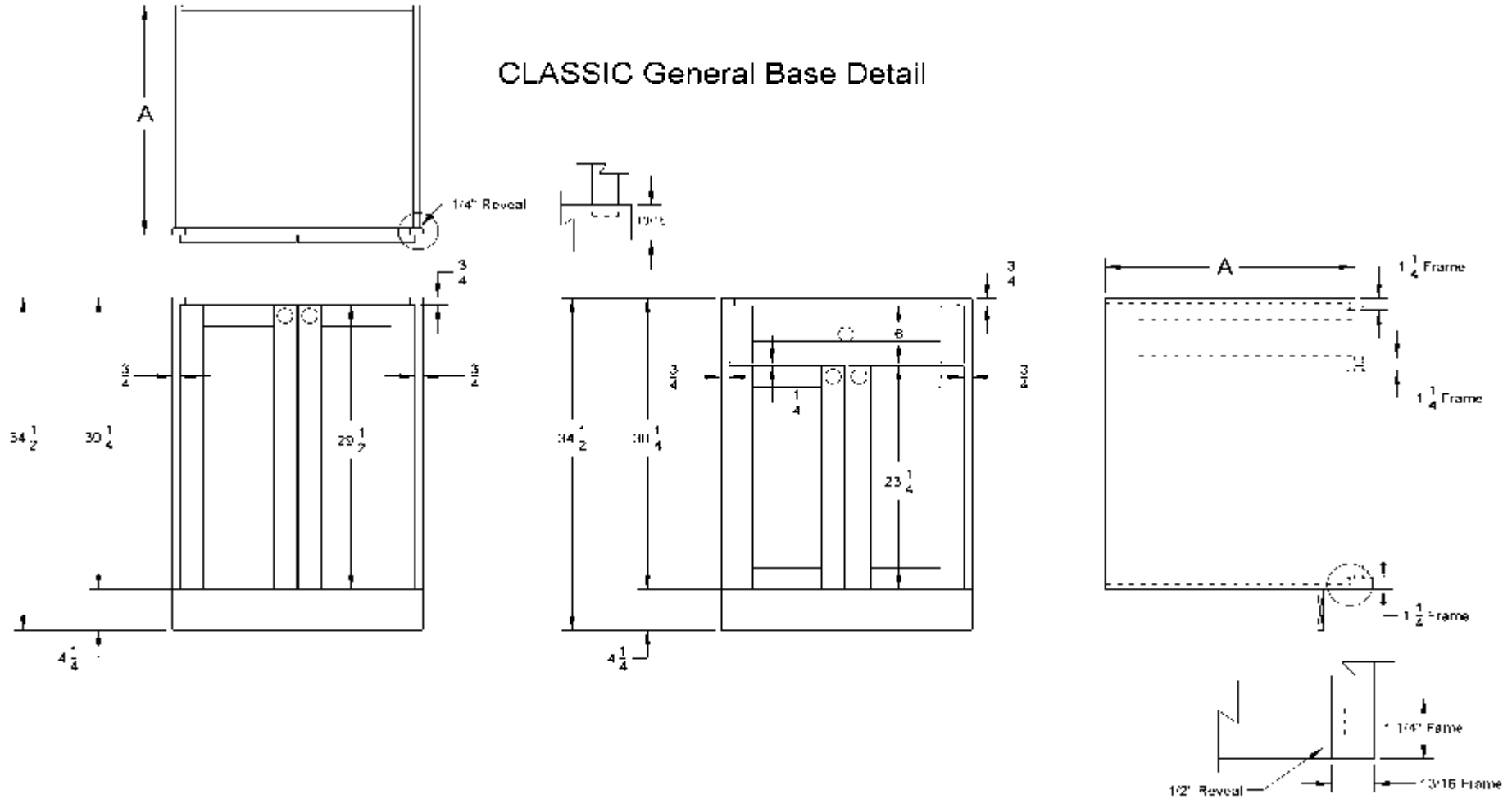


(705) 808-1038 Customer Service
 (866) 376-4316 Fax

www.canadianacabinets.com

Specifications K 43

CLASSIC General Base Detail



Country Classic Base

Scale: To Fit

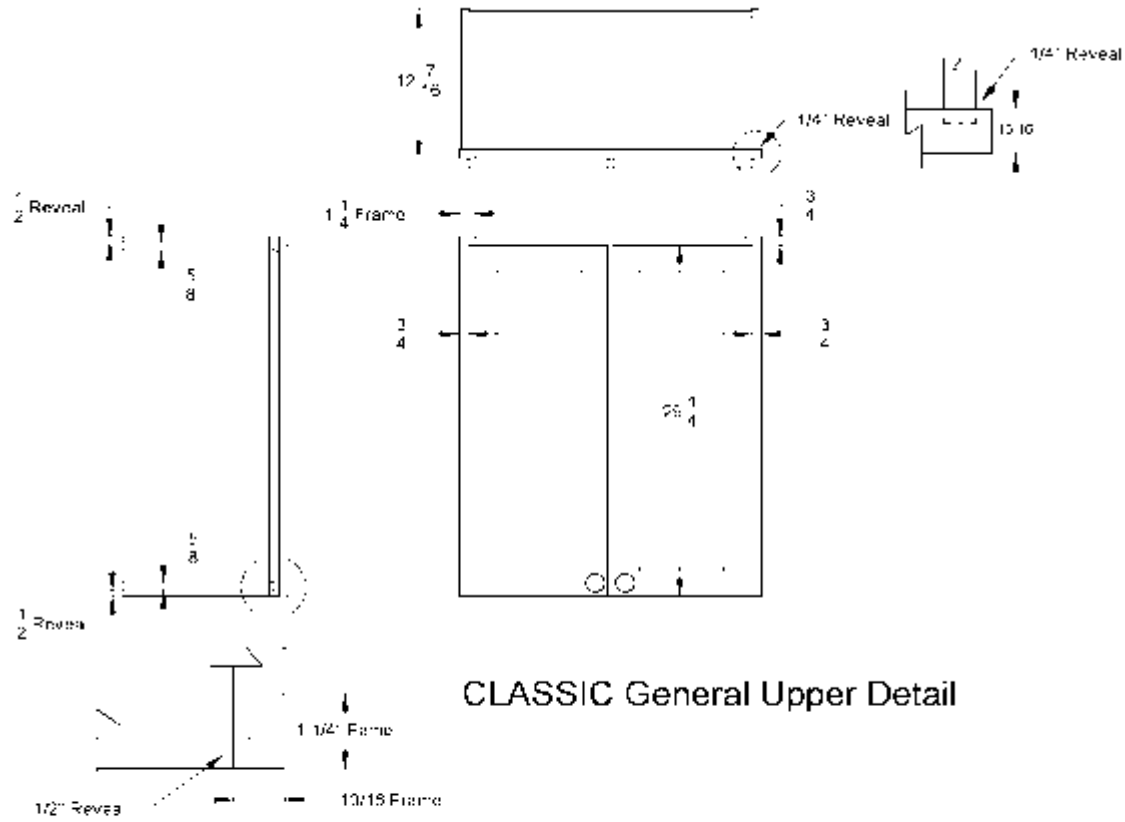
Approved By:



(705) 808-1038 Customer Service
 (866) 376-4316 Fax

www.canadianacabinets.com

Specifications K 44



CLASSIC General Upper Detail

Country Classic Upper

Scale: To Fit

Approved By:



(705) 808-1038 Customer Service
 (866) 376-4316 Fax

www.canadianacabinets.com

Specifications K 45

OVERLAY PANELS

Overlay Panels are $\frac{3}{4}$ " thick applied finished ends. Overlay Panels are two sided applied panels, matching the exterior colour and material of the project. We recommend these panels are ordered $\frac{7}{8}$ " deeper than the cabinet case, to allow it to sit flush with the face of the door.

Overlay Panels will be required when using select materials, but will also be available to use with all colours and materials.

Colours & Materials requiring Overlay Panels, will be noted in the catalogue, and on the back of sample doors.

By using Overlay Panels in your project, you gain some advantages, such as:

- The ability to use a wider range of materials and species, including unique cabinet interior colours, unavailable to an integrated finished end cabinet construction
- Split large cabinets into two, making them easier to transport and install. Overlay panel covers the joint to create a seamless stack of cabinets.
- Further customize the look of your kitchen by adding overlay panels in a contrasting colour or material.
- Overlay Panels can be ordered deeper than standard for any scribing applications.

TIPS: You may want to increase the depth of fridge panels, to match the increased depth of overlay panels.

When Ordering Overlay Panels, cabinets can be reduced in width by $\frac{3}{4}$ " or $1\frac{1}{2}$ " at no extra charge.



UPPER CABINETS

Our Standard Overlay Panel on Upper Cabinets matches the Cabinet Height, and $\frac{7}{8}$ " deeper than the cabinet depth. **Upper Overlay Panels are $\frac{3}{4}$ " Thick, Finished on 2 Sides, and all 4 Edges**

Our standard overlay panel will be made the exact height of the cabinet, however, you can adjust your panel height and depth to suit the design of your project.

DESIGN OPTIONS:

By extending the panel down past the cabinet deck, the light valance can be captured between each end.

If you would like to add a Panel on the underside of your Upper Cabinets, the Overlay panel can be increased to capture the ends of that panel.

Adding Panels on finished ends above stoves and sinks can run the full height, or just span the opening. This can be complimented with a Finished Bottom panel above.

You can increase the depth of any Overlay Panel, this will give room for scribing.



Standard Overlay Panel Application
Panel Case Height, Flush with Door on face



Alternate Overlay Panel Application
Panel Extended Below Cabinet to capture Light Valance



(705) 808-1038 Customer Service
(866) 376-4316 Fax

www.canadianacabinets.com

Specifications K 47

BASE, VANITY & TALL CABINETS

When using Overlay Panels, Cabinets will be constructed using adjustable legs. These legs allow for easy installation, and are flexible for design applications.

For Base, Vanity & Tall Cabinets, our standard Overlay Panel matches the **Case Height**, and are $\frac{7}{8}$ " deeper than the depth of the cabinet.

Bases, Talls, and Vanities Overlay Panels are Finished on 2 Sides, and 2 Long Edges (front + back).

Our Standard Base Overlay is $30\frac{1}{4}$ " High (Cabinet Height $34\frac{1}{2}$ " - Toe Kick Height $4\frac{1}{4}$ " = $30\frac{1}{4}$ ").

Our standard overlay panel will be made the exact height of the cabinet case (Excluding Toe Kick), however, you can adjust your panel height and depth to suit the design of your project.

DESIGN OPTIONS:

You can extend the Overlay Panels down to the floor, to capture the toe kick.

You can increase the depth or Height of any Overlay Panel, if you think you may need to scribe to the floor or wall.



Standard Overlay Panel Application

*Panel Case Height, Flush with Door on face
Toe Kick Returns Under Cabinet to wall*



Alternate Overlay Panel Application

*Panel Extends to Floor
Toe Kick runs into panel on end of cabinet run*



(705) 808-1038 Customer Service
(866) 376-4316 Fax

www.canadianacabinets.com

Specifications K 48



Exposed Partial Finished Ends

For Applying panels when a cabinet configuration is raised, ie. above a sink or stove, you can either run the panels all the way up (as shown above), or stop them at the cabinet (shown below). If you run them all the way up, remember to reduce the cabinet width of the cabinet above.



Optimization of Stacked Cabinets

Joints between stacked cabinets are not visible when using an Overlay Panel



OVERLAY PANEL SPECIFICATION

RECOMMENDED OVERLAY PANEL DEPTH		
Cabinet Depth + 7/8" <i>Cabinet Depth + Door Bumper (1/8") + Door Thickness (3/4")</i>		
	<i>ACTUAL CABINET DEPTH</i>	OVERLAY PANEL DEPTH
CD-12	11 13/16"	12 11/16"
CD-14	13 7/8"	14 3/4"
CD-15	15 7/16"	16 5/16"
CD-18	17 5/8"	18 1/2"
CD-21	20 5/8"	21 1/2"
CD-24	23 5/8"	24 1/2"

RECOMMENDED OVERLAY PANEL HEIGHT			
Cabinet Depth + 7/8" <i>Cabinet Height - Toe Kick Height</i>			
TYPE	<i>CABINET HEIGHT</i>	<i>TOE KICK HEIGHT</i>	OVERLAY PANEL HEIGHT
BASE	34 1/2"	4 1/4"	30 1/4"
VANITY	30 1/2"	6 1/4"	24 1/4"
EMPIRE VANITY	33 1/2"	6 1/4"	27 1/4"
84" TALL	84"	4 1/4"	79 3/4"
87" TALL	87"	4 1/4"	82 3/4"
90" TALL	90"	4 1/4"	85 3/4"
93" TALL	93"	4 1/4"	88 3/4"
96" TALL	96"	4 1/4"	91 3/4"

CABINET INTERIOR OPTIONS

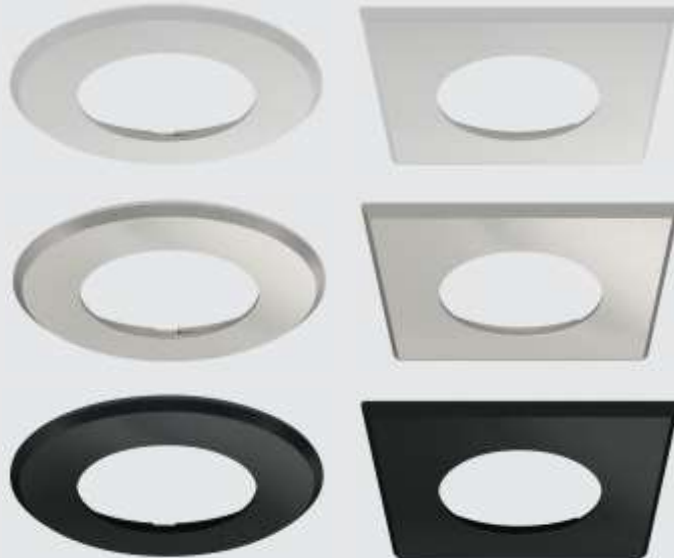
Material	Overlay Panel Construction	Integrated Finished Gable Construction
White Melamine	Standard in Canadiana Line	Standard in Canadiana Line
Maple Melamine	\$28 / Cabinet	\$26 / Cabinet
Canvas	\$35 / Cabinet	Not Available
Maple Plywood	Standard in Excellence Line	Standard in Excellence Line - Maple or Painted only
<i>Other cabinet interior options available upon request</i>		







Available in Warm White (3000k) and Cool White (4000k)



Recess Mounted Lights available with Round or Square Light Covers, in White, Silver and Black. Please Specify with order.

Product	LED 2025, 12V Warm White	LED 2025 12V Cool White
Product Code	LED2025-WARM	LED2025-COOL
Light Colour (K)	3000 (warm)	4000 (cool)
Width (mm)	61.2	61.2
Height (mm)	15.6	15.6
Wattage (W)	3.8	3.8
Number of LEDs	1 (COB)	1 (COB)
Material	aluminum	aluminum

Product	Round	Square
Recess Trim Ring, WHITE	LED2025-TRIM-WR	LED2025-TRIM-WS
Recess Trim Ring, SILVER	LED2025-TRIM-SR	LED2025-TRIM-SS
Recess Trim Ring, BLACK	LED2025-TRIM-BR	LED2025-TRIM-BS





12V DRIVER

The Size of driver required, is calculated from the total wattage of lights powered by the driver. The lights used in this system are approximately 4 watts each. If unsure, please contact customer service.

Product	Product Code
LED 12V Driver, 0-20W	LED12DRIVER-20W
LED 12V Driver, 0-40W	LED12DRIVER-40W
LED 12V Driver, 0-60W	LED12DRIVER-60W

LED LEAD

The LED Lead connects the LED Light to the Driver. It is available in 3 lengths.



Product	Product Code
LED Lead, 500mm (19 5/8")	LED12LEAD-500
LED Lead, 1000mm (39 3/8")	LED12LEAD-1000
LED Lead, 2000mm (78 3/4")	LED12LEAD-2000

LED LEAD EXTENSION

The LED Lead Extension is used when the distance from the LED to the Driver is longer than 2000mm (78 3/4"). This is used in addition to the LED lead, and not as a replacement. There is no limit on the length of extensions used.



Product	Product Code
LED Lead Extension, 500mm (19 5/8")	LED12EXT-500
LED Lead Extension, 1000mm (39 3/8")	LED12EXT-1000
LED Lead Extension, 2000mm (78 3/4")	LED12EXT-2000



INSTALLATION

We recommend that you order the recessed lights factory installed.

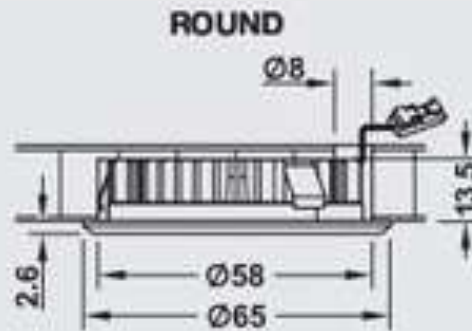
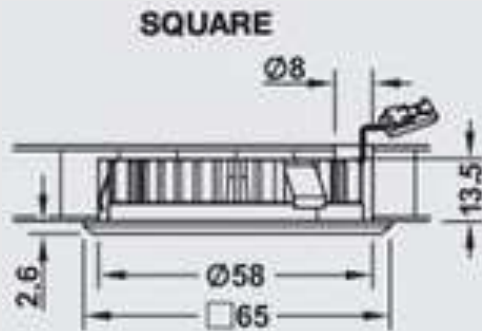
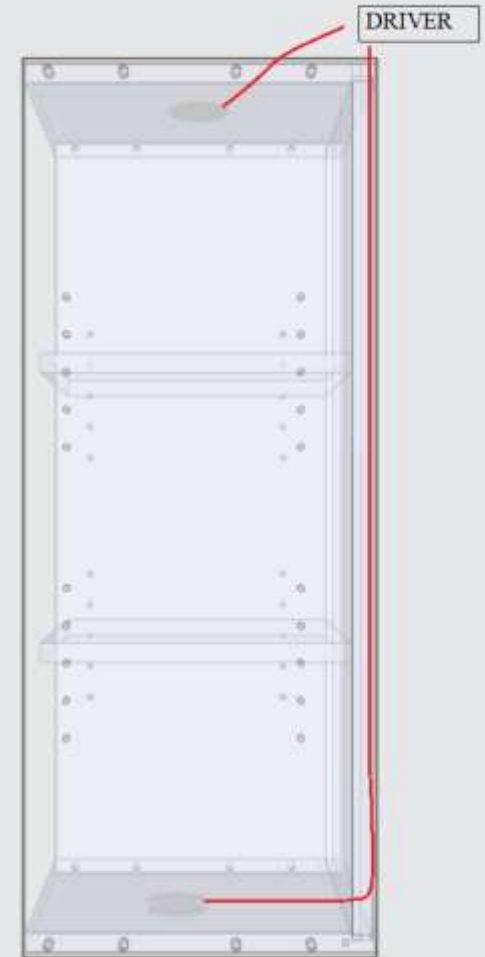
The codes are:

DRILL TOP - Hole drilled at the top of the cabinet (inside) to accommodate a recess LED light. Hole will be drilled all the way through the top. The default location for this hole is directly in the center of the cabinet.

DRILL BOTTOM - Hole drilled in the deck of the cabinet (underneath) to accommodate a recess LED light. A second hole will be drilled through the deck, from the back of the cabinet, to allow the lead to run through the deck, and up the back of the cabinet. The default location for this hole is 8" from the back of the cabinet.

Please specify if you would like your holes in an alternative location.

SIDE VIEW



(705) 808-1038 Customer Service
(866) 376-4316 Fax

www.canadianacabinets.com

Specifications K 54

ADDITIONAL INFORMATION

Ordering List

1. LED Light (Warm or Cool)
2. Recess Trim Kit (Colour and Shape)
3. Lead (Specify Length)
4. Lead Extension (*if necessary*)
5. Driver (Choose Wattage)

Wiring Requirements

The most common application for this system, is to plug the driver directly into an outlet that is controlled by a wall switch.

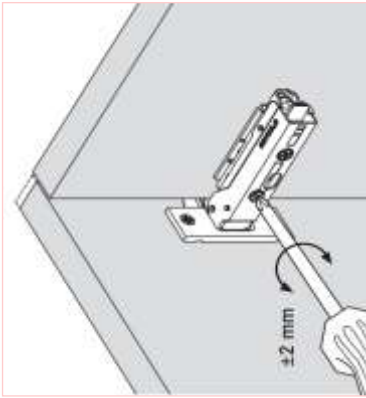
There are several remotes and switches available for this system. For more information about these accessories, please contact Customer Service.



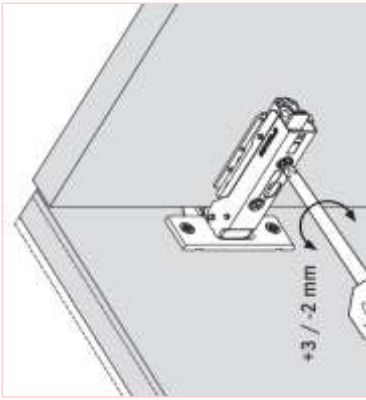


GRASS HARDWARE TIOMOS HINGE Adjustment Guide

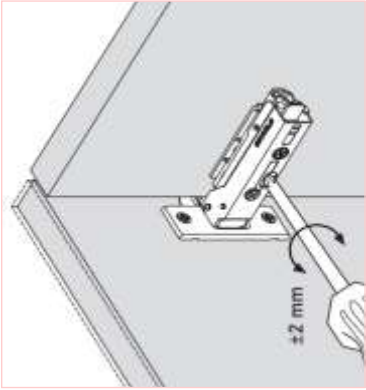
Side Adjustment



Depth Adjustment

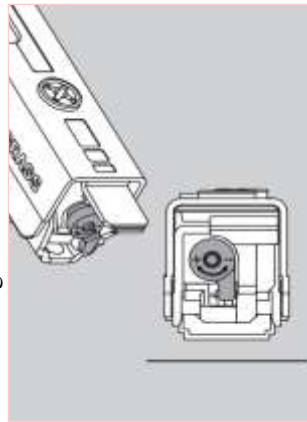


Height Adjustment



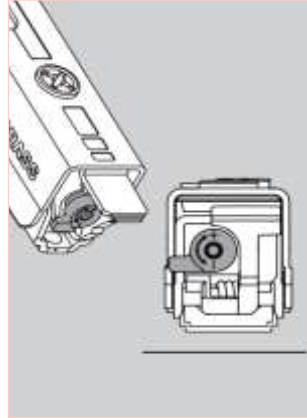
Low Level

For light and small doors



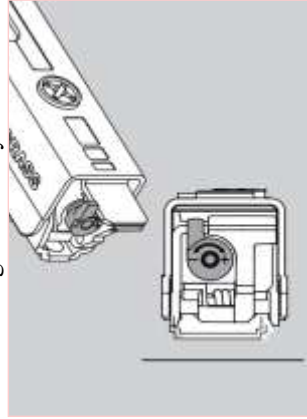
Middle Level

For standard doors

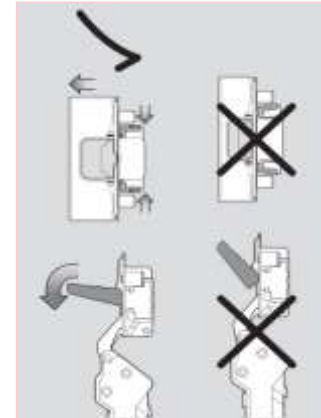
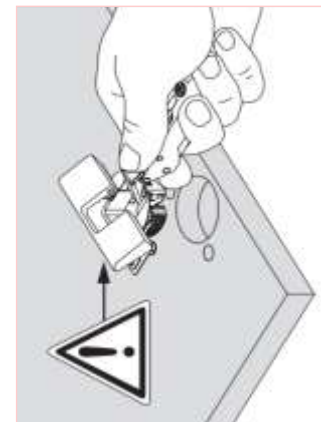
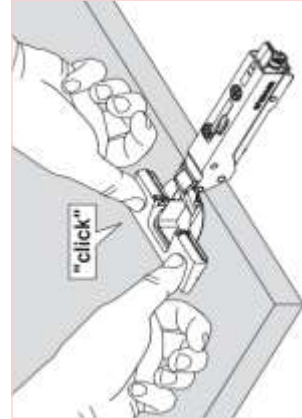
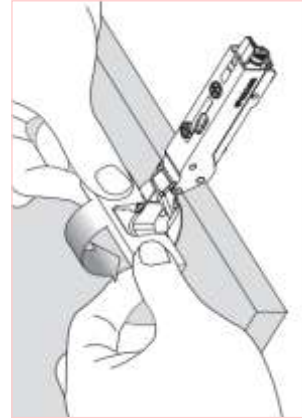
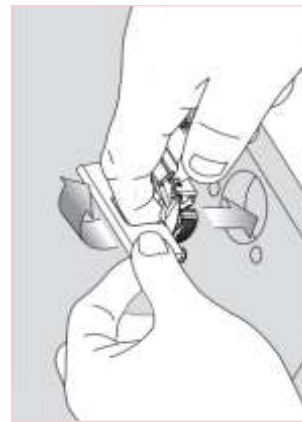


High Level

For large and heavy doors



Installing the hinge



Video Tutorial

(Scan with Phone)
Hinge Adjustment Video

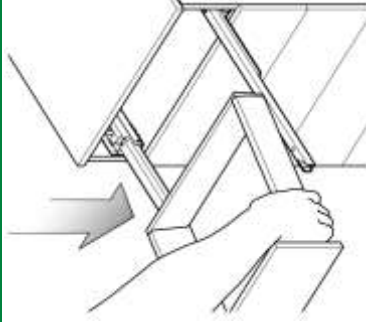


GRASS DRAWER SYSTEM DWD XP Adjustment Guide

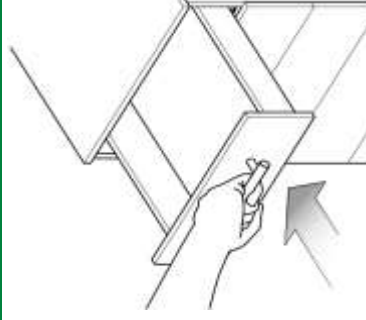


Inserting the drawer

Place the drawer on the extended slides.

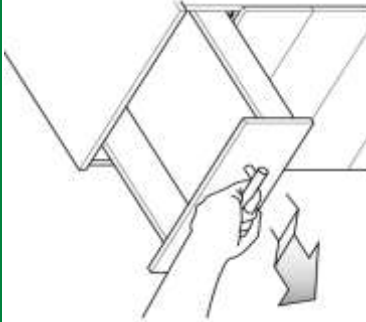


Slightly lift the drawer at the front and then push fully closed. **The drawer engages automatically.**

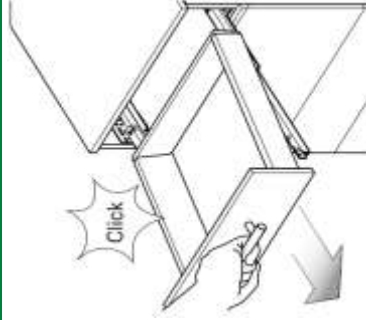


Removing the drawer

Pull the drawer out, lift slightly approx. 10 cm before the limit stop.

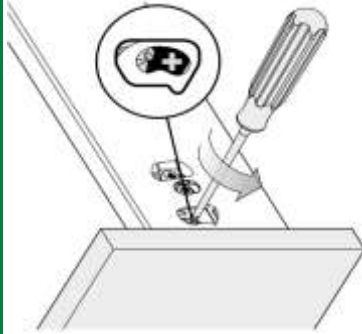


Pull firmly **horizontally** until the drawer audibly disengages, then lift off.

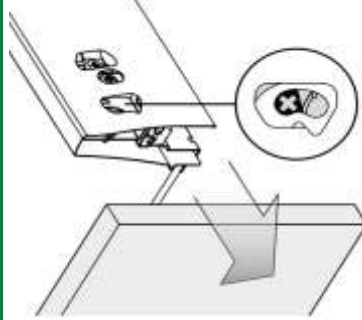


Removing the front panel

Use Pozidriv No. 2 to release.

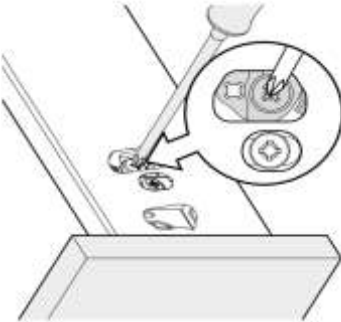


The front panel is now released and can be removed. *Where a front-bottom connector is used, release the connector.*

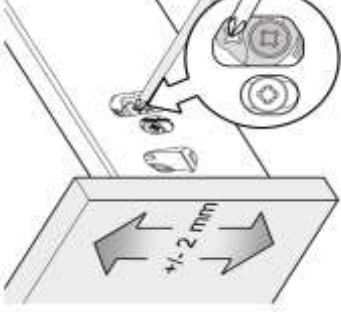


Eccentric height adjustment on both sides

Release locking screws on both sides.



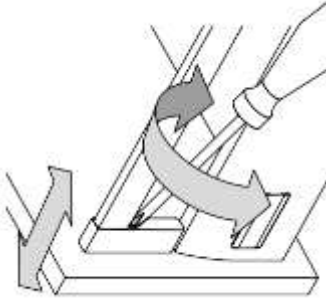
Adjust front panel and retighten locking screws.



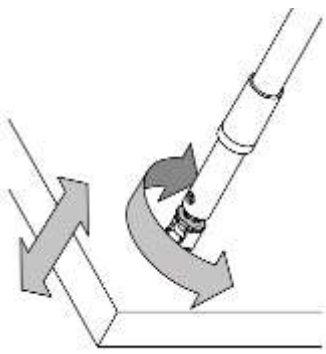


GRASS DRAWER SYSTEM DWD XP Adjustment Guide

Front tilt angle adjustment

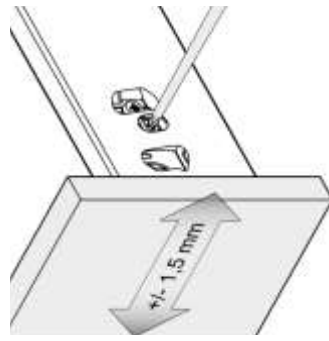


With rectangular railings, tilt angle adjustment of the front is via the front panel holder.



The tilt angle adjustment of the front with a round railing is carried out by turning the adjustment screw.

Side adjustment, right



Turn adjustment. Only the right-hand side has to be operated due to the integrated lateral adjustment.

Video Tutorials

(Scan with phone)

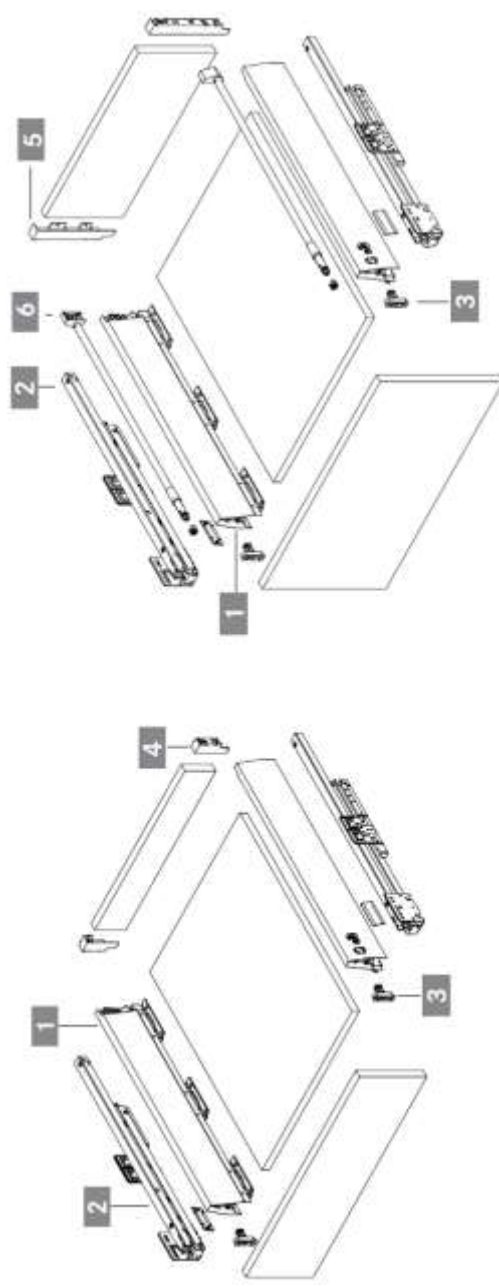
Fine Adjustment Video



Drawer Removal Video



Part Guide



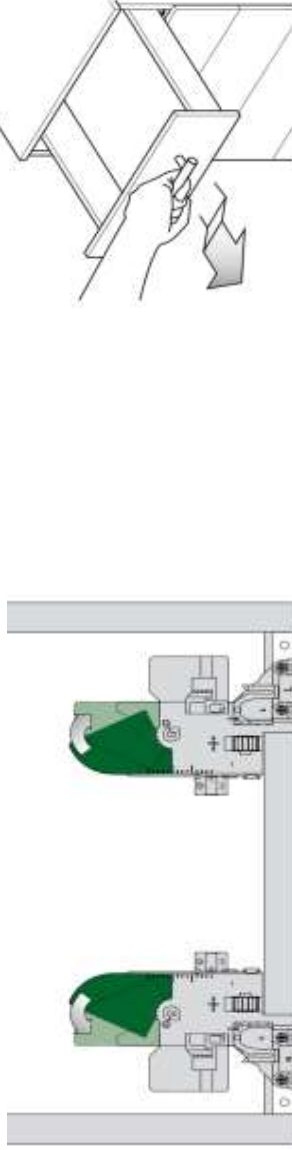
1	DWD XP drawer slides H95 incl. cover caps		4	Clip set for wooden back panel H86	
2	DWD XP full extension drawer slides with Soft-close		5	Clip set for wooden back panel H182	
3	Front holder		6	Quick-mounting railing set	



GRASS DRAWER SYSTEM DYNAPRO Adjustment Guide

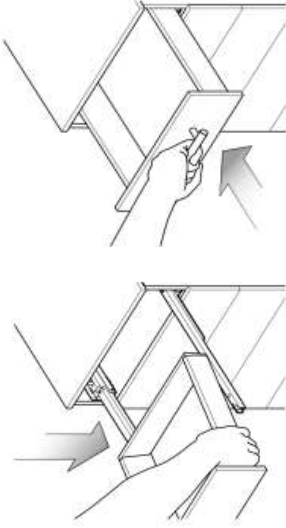
Removing the drawer

Pull the drawer out, move the lever of the locking device and lift the drawer from the slides.

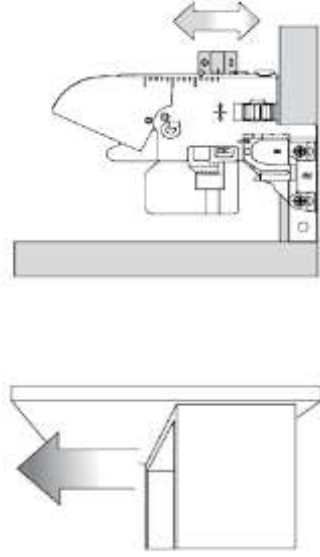


Inserting the drawer

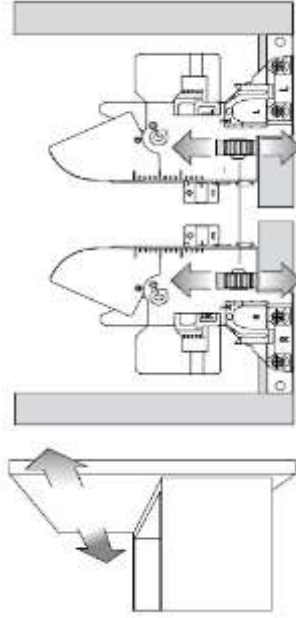
Place the drawer on the extended Dynapro slides and push in until it audibly engages.



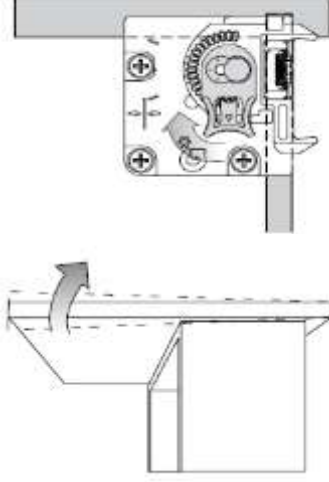
Height adjustment (max. +3.5 mm)



Side adjustment (max. +/- 1.5mm)



Tilt angle adjustment of front (max. +4.0mm)



Part guide

